



Lift solutions from Cibes Lift suitable for all types of buildings

Smart, safe and easy to install



DESIGN - RELIABILITY - EXPERIENCE

Contents

About Cibes Lift	3
Architects, contractors and real estate owners	4
Service & maintenance	5
Energy Label	6
Home lift	8
Passenger lifts	9
Cabin lifts	12
Open platform lift	16
Goods and passenger lift	17
Outdoor concept	18
Stairlift for straight stairways	20
Options and accessories	23
Door models	25
Drawings	26
Lift configurations	28
Technical specifications	29



Passengers
and luggage



Persons with
limited mobility



Stroller
accessible



Wheelchair
accessible



Passengers



Bed and
stretcher accessible



Small goods



Goods



**Lifting solutions
from Cibes Lift**
for any building application

About Cibes Lift

Renowned market leader

Cibes Lift is the world-wide market leader in screw-driven platform lifts with thousands of satisfied customers. We supply lifts for a variety of applications offering a wide range of design choices and security options. Our lifts are easy to install, have a superb design, are strong and very reliable. We meet the needs of the architect, contractor, building owner and end-user when it comes to the importance of both lift performance and user-friendliness. Expert advice, prompt delivery and excellent service are naturally a part of the solution package we provide to our customers. Platform lifts from Cibes Lift have been CE-certified by the notified body DNV, Det Norske Veritas.

You can always find us closeby, ready to provide support for everything from drawings and selection of materials to installation and maintenance thanks to our worldwide network of distributors.

We offer fresh and smart designs to enhance any building environment.

In public buildings, commercial shopping centres or private homes.

- All lifts are certified and safe
- Screw drive technique, no hydraulics
- Non-noisy and user-friendly
- Perfectly applicable within existing buildings
- Professional service and maintenance
- Low operating costs and long service life



Cibes Lift

We understand the wishes of the architect, contractor and building owner

Architects – Both functionally and design play an important role when selecting a lift from an architectural stand point. Cibes professional advice and our technical specifications support will assist your decision making process. We have all the necessary expertise and know-how in the area of platform lifts. We will provide you with an extensive quotation, specifications, drawings, illustrations and other details. Our lift solutions are comprehensive and custom-made – from the smallest up to the biggest platform lift, with a wide array of options, for indoor, external, small or large installation sites. Our lift portfolio goes from loads of 300 kilograms up to 1000 kilograms and can be installed in both new and existing building sites.

Contractors – Cibes platform lifts have an attractive price/performance ratio. Thanks to years of experience as lift specialists we can provide excellent service together with our subsidiaries and partners all around the world. They will coordinate with contractors at the building site which means that you have a contact person closeby for every project.

Building owners – In places where conventional lifts can't be installed due to lack of space, Cibes Lift types offer a solution. Our lift models are especially suited for existing buildings installation due to their flexible dimensions. With a wide number of design and accessory choices our lifts will become an interior design asset. Cibes platform lifts are easy to install, stylish, strong and durable. Thanks to our wide distributor network we are able to guarantee suitable service and support throughout the duration of the project.

References – For reference projects please contact Cibes Lift or your local Cibes distributor.

Service & maintenance

High customer satisfaction – a major part of our clients prefer servicing and maintenance by Cibes Lift world-wide partners.

Service and maintenance of our products is extremely important to be able to ensure our customers confidence and satisfaction. This is why we have chosen, trained and certified all our distributors to be able to perform lift installation, service and maintenance.

Our partners are highly qualified and continuously trained to take care of you and your lift.





6

Energy Label

We take environmental responsibility
from production to installation



Quality assurance

The products are CE marked and certified by DNV.

Chemicals used in our factories are examined according to the Chemicals PRIO and restriction database adapted to EU chemicals legislation.

Cibes products are registered in BASTA. BASTA is operated by IVL Swedish Environmental Research Institute and the Swedish Builders Federation. It is a part of the Swedish building sector's environmental work to phase out hazardous chemical substances from construction. BASTA is also included as part of the Environmental Council 2010th.

Cibes construction declaration is in accordance with the Recycling Council guidelines of May 2007.

Environmental Policy

Cibes Lift care actively and consciously about the environment. Environmental considerations are reflected in our manufacturing and material choices to keep our commitment to protect the environment, always with the priority to protect the environment. The employees at Cibes Lift are trained to pay close attention to environmental issues in their daily work. Through good environmental practice Cibes Lift can operate a profitable business without burdening the environment and natural resources.

Cibes A4000

The small home lift

Cibes A4000 is especially designed for private homes. With a wide range of options and accessories the lift will not only blend into your home, it will complement it. For almost all types of living spaces where there is both a need of freedom and accesibility, Cibes A4000 is the perfect solution. The platform lift improves your life quality and increases your home value.

Cibes A4000 standard features

- Standard off-white steel shaft or glazed shaft
- Specially-designed for private homes and small spaces
- Cibes smallest platform lift with 1200 x 993 mm cut out sizes
- Minimal construction work
- Straightforward installation, can be achieved within a few days
- Runs smoothly and soundlessly thanks to its soft start and stop system
- Safe and easy to use
- Doors are equipped with a built-in self-closing function, with an opening position of 90°
- Lift doors with panoramic glass
- Handrail, alarm and LED lighting on the control panel
- Lift can be operated by way of a battery lowering system in the event of power loss, available as standard
- Overload notification
- Panoramic shaft (glass on 4 sides) can be provided to give an elegant and airy look
- Lift can be supplemented with a variety of accessories and options





Cibes A5000 or A7000

A perfect passenger lift

In places where conventional lifts cannot be installed due to lack of space, the Cibes A5000 and Cibes A7000 platform lifts can offer a solution. These types of lifts do not require a separate shaft or a machine room. Neither is a ramp required. These platform lifts can be accommodated in a 50 mm pit for a flat leveled entry. Alternatively, the lifts can be positioned directly on the floor with a 50 mm ramp. With a wide number of sizes available our lifts are especially suited for installations in existing buildings. The unlimited design and custom options make these lifts an asset to every interior. This in combination with their ease of use, low price and usage costs make these platform lifts excellent alternatives to conventional, more traditional lifts.



An optional panoramic design

A real eye-catcher surrounded by glass on four sides

The demand for panoramic lifts is strongly on the rise. Cibes Lift A5000 allows for a Panoramic four wall design together with a number of available options and possibilities to make our lift an asset to modern open interiors. The lift will be provided with a shaft manufactured with safety glass panels on all four sides. The slender glass panels create a stylish, open look, and the view from within the platform gives a futuristic feeling of comfort and security.

Optional features

Accessories and options are presented on page 22.





Cibes A7000

Cibes A7000 is an attractive alternative to Cibes A5000. What differentiates the products is that this model has a 2.2 m high vertical back wall with inset mirror and LED lighting. Otherwise there are equal opportunities and freedom of choice in the selection of accessories and options. Similarly to Cibes A5000, the A7000 can be easily adapted to customer needs thanks to the variety of options and various RAL colours.

Cibes A7000 has a 2,2 m high vertical fascia with an integrated mirror and LED spotlights



Cibes A5000 & A7000

Benefits

- Travel height up to 13 metres, 6 landings
- Accessible for mobility scooters, wheelchairs and baby strollers
- Including a steel or (optional) glass shaft; panoramic lift with glass panels on all four sides
- Large push buttons, easy to operate
- No extensive builders work required
- 50 mm pit depth or a ramp
- Integrated machine room
- Easy and quick installation within 2-3 days
- Delivered in small packages for easy transport through narrow passages
- Low installation and maintenance costs
- Automatic lubrication
- Designed for existing and new buildings

Standard features

- Shaft available in off-white RAL 9016
- Doors are equipped with an integrated self-closing feature, opening position 90*
- Lift doors with panoramic glass available
- LED-lighting, alarm and handrail on the control panel
- Overload detection
- Safety edges

Optional features

- A wide selection of surface finishes, colours and accessories ensure that the platform lift will blend in every type of building environment.



Great design, functions and ergonomics



Cibes A9000 is delivered with a cabin and sliding doors in steel



12

A number of RAL colours to choose from



Cibes A9000

The comfort of a luxurious cabin lift

Cibes A9000

Enhances the sense of luxury

Following the A5000 and A7000 models, Cibes Lift offers the A9000 Cabin. The cabin lift comes with a mirror and an attractively designed light fixture, as standard, enhancing that sense of luxury. Smart aesthetic elegance, new materials and a variety of options make the Cibes cabin lift the perfect accessibility solution when a lift with a little extra is required. The A9000 is delivered with a softly moulded hand rail in natural anodized aluminium. Both cabin and landings are equipped with sliding doors. Go for an airy, distinguished-looking lift with glazed doors, cabin and shaft, eliminating the boundary between inside and outside or for a simple and elegant steel panel finish. The choice is yours!

Cibes A9000 benefits

- Shaft and car with sliding doors
- Fulfills the demands of universal elegant and functional design
- Safe and easy to use
- Autorun controls on landings and inside car
- Sliding doors – 100% free space in front of the lift
- No separate machine room

Optional features

- Glazed cabin and shaft – Panoramic design
- Any RAL colour of your choice
- Various ceiling and light options
- GSM module for Safeline
- Fire resistant sliding doors

Standard features

- Sliding doors on both shaft and car
- Shaft finish: steel panels off white RAL 9016
- Floor finish slip resistant safety floor
- Ceiling finish: polished white glass
- Lighting: LED spotlights
- Mirror: above control panel
- Control panel: integrated
- Push buttons: vandal resistant
- Telephone: Safeline emergency autodial

A wide selection of finishes, colours and accessories ensure that the cabin lift will blend into any type of architectural or interior design in public, commercial or private buildings.

Options are presented on page 22

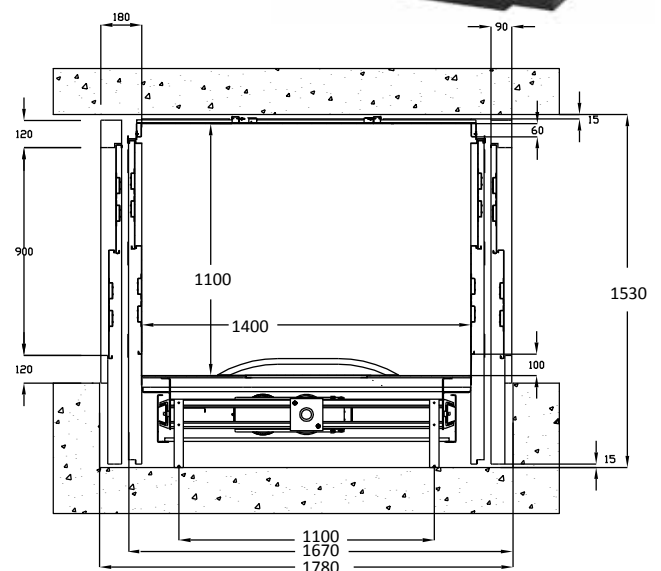




Cibes A6000

The cabin lift, designed to fit into existing shafts

- Fully enclosed cabin
- Car walls are insulated for a quiet ride
- Automatic and LED lighting to reduce power consumption
- Car size (WxDxH) 1100x1400x2200 mm
- Rated load 400 kg, 5 people
- Travel height 13 metres, 6 landings
- Auto run control buttons
- Mirror on the lift car wall as option
- Level indicator on a 7" flatscreen
- Telescopic doors
- Emergency lowering from control buttons inside
- Soft start and stop screw drive
- Easily installed in existing buildings/shafts
- 70mm recess or ramp
- Low operating costs
- Easy maintenance





The lift car provides an enclosed ride, the design is aesthetic, reliable and the lift is easy to use, fulfils all safety demands and meets legal requirements, a perfect choice when conventional lifts are not an option. The lift is offering an affordable and high quality option range.

Cibes A6000S

A cabin lift with shaft included

Cibes A6000S is a cabin lift delivered with shaft, swing doors at each landing and a folding door in the lift car. The lift can be customized with different options to fit your specific requirements.

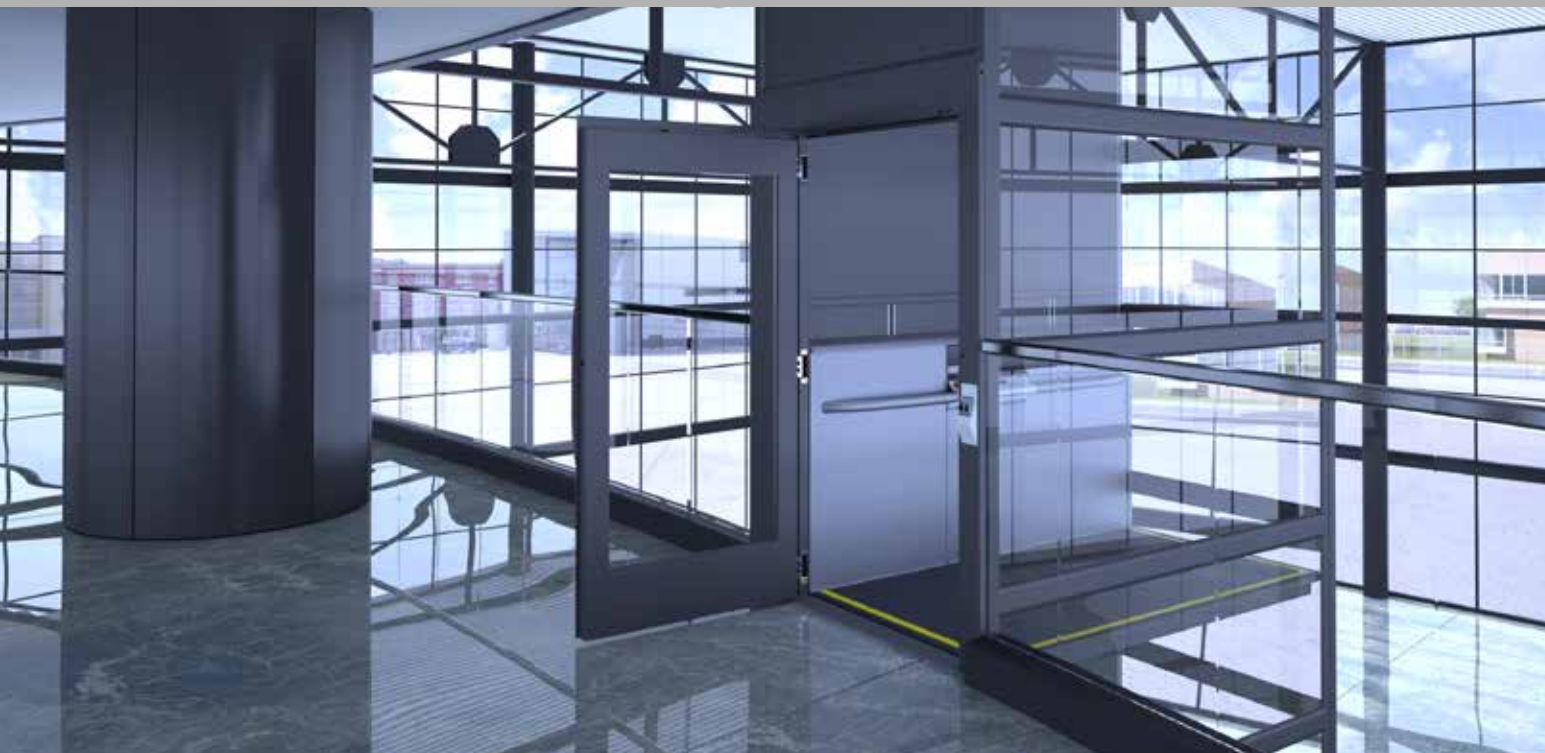


Cibes B385

The open platform lift

Cibes B385 is suitable for both indoor and outdoor conditions. This lift is designed to make entrances of apartments, public buildings and shops more accessible. Cibes B385 takes up very little space and a ramp facilitates the accessibility when boarding the platform. Cibes B385 is designed for 2 stops and has a maximum travel of 3 metres. The screw-driven machinery is located in a closed-off, integrated machine room. Since this lift requires very little building work and only a pit depth of 60 mm, Cibes B385 is suitable for both existing and new buildings.





Cibes A8000

The platform lift for loads of up to 1000 kg / 8 persons

- Fast installation time, between 3 and 4 days
- Comes with its own shaft
- Runs by its screw and nut driving mechanism, meaning no oil spills and no extra machinery are required. Doesn't require a machine room for its installation
- Easy to maintain and service, its screw drive mechanism can be accessed from inside the lift
- Low operating costs and low power consumption
- With only a 130 mm pit required for installation
- With glass panels in shaft walls as option
- Panoramic white steel door as standard
- All parts are packed and sent in small packages
- A certified product

Our largest screwdriven platform model for heavy loads is just as suitable for passengers as goods, hospital beds or stretchers. Thanks to its generous platform size, door opening and maximum load of 1000 kg, the A8000 is a popular choice for hotels, restaurants, department stores, care centres and elderly homes.



The weather resistant outdoor concept

Ceiling lighting*

Outdoor roof*

The outdoor roof must be installed against a wall

Observe**

250 mm space is required above door on top floor

Glazed shafts**

Glass frames with drainage eliminate the risk of frost damages.

Reinforcements in between the glass frames for increased stability

U-bracket*

U-brackets are used to secure the attachment to the wall

Cross bars*

Reinforced cross bars and wall fixtures for secure anchoring to the building

Canopies*

Canopy is recommended if the doors are expected to be exposed to weather conditions such as rain and snow

Doors**

Aluminium doors are recommended

Platform

Rust protected platform

Frostguard & fan*

Frost guard and electric fan in the machine room

Lift pit**

Drainage and insulation are required to avoid water damages

* Options ** Recommendations

– for external lift installations

Cibes Lift has developed a product package especially designed for outdoor conditions.

The reinforced lift design is ready to withstand cold, wind and humidity.

The weather resistant outdoor concept includes the following as standard:

- Rust proof platform
- Reinforced cross bars and wall mounts for secure anchoring to the building
- Rust primer to protect sensitive parts, eg drilling holes, during installation

Options

- Outdoor roof
- Canopies
- Frost guard & fan
- Cross bars
- U-bracket
- Ceiling lighting



Outdoor concept

Cibes S200

The all-weather solution for straight stairways

Cibes S200 is an robust and reliable platform lift, combining easy installation with modern technology. The simple and functional design makes the lift fit into most environments. The lift is equipped with ramps which, when in an upright position work as additional sensitive edges. In addition, the lift is easy to adapt to a new stairway.

The Cibes S200 is a powerful and sturdy platform lift designed for trouble free use all year around in all weather conditions.

Cibes S200 conforms to the MD2006/42/EC and the European Norm 81-40.



20

Cibes S200

A robust solution for straight stairways



Cibes S300

The fold-away solution for straight stairways

The clever folding design of Cibes' inclined platform lift requires very little space on the staircase (less than 240 mm) and on the landings. Cibes S300 is a smart solution for straight stairways that can take up to 300 kg and safely transport passengers and goods from one landing to the other. When not in use, the platform is neatly folded against the wall, its safety barriers folded down behind the platform, making the stairlift vandal resistant while keeping the stairs perfectly accessible.



Foldable against the wall





Standard:
Call button



Call button
with smart card



Call button
key lock



Code lock
for the doors



Remote elbow
call button



Remote call button
with smart card

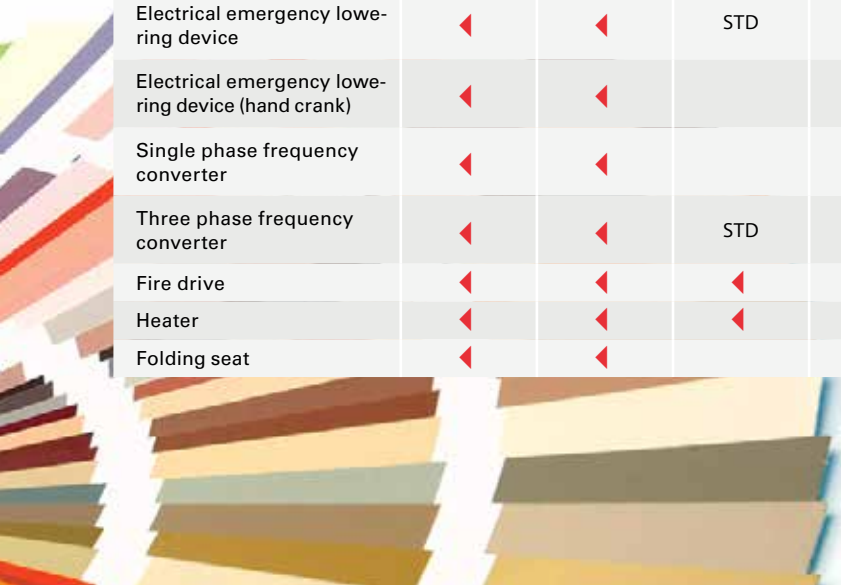


Level indicator

Options & accessories

Our Lift solutions offers a variety of options in terms of different finishes, door models, and safety features. You can adapt your lift to just about all kinds of architectural styles and requirements. The prefabricated shaft can be delivered in any RAL colour or fully glazed (including the machinery side).

ACCESSORIES	A5000	A7000	A6000 S	A6000	A9000	A4000	A8000	B385
LOCKING SYSTEM								
Smartcard at the doors	◀	◀			◀	◀	◀	
Key lock system at the control panel	◀	◀	◀	◀	N/A	◀	◀	◀
School lock system at the doors	◀	◀	◀	◀	◀	◀	◀	◀
Code lock on/off function at the doors	◀	◀	◀	◀	◀	◀	◀	
TELEPHONES								
Wall Telephone	◀	◀				◀	◀	
Auto dialer	◀	◀	◀	◀	◀	◀	◀	
Auto dialer - GSM	◀	◀	◀	◀	◀	◀	◀	
Intercome	◀	◀	◀	◀		◀	◀	
ALARMS								
Alarm beacon	◀	◀	◀	◀	◀	◀	◀	
EXTRA FUNCTIONS								
Remote call button	◀	◀	◀	◀	◀	◀	◀	
Remote elbow call button	◀	◀	◀	◀	◀	◀	◀	◀
Remote- control / controls	◀	◀	◀	◀	◀	◀	◀	◀
Level indicator at the doors	◀	◀	◀	◀		◀	◀	
Level indicator internal	◀	◀	◀	◀	◀		◀	
Arrival signal	◀	◀	◀	◀	◀	◀	◀	
Voice announcement	◀	◀	◀	◀	◀	◀	◀	
Electrical emergency lowering device	◀	◀	STD	STD	STD	STD	STD	◀
Electrical emergency lowering device (hand crank)	◀	◀						
Single phase frequency converter	◀	◀				◀		◀
Three phase frequency converter	◀	◀	STD	STD	STD	◀	STD	◀
Fire drive	◀	◀	◀	◀	◀	◀	◀	
Heater	◀	◀	◀	◀	◀	◀	◀	
Folding seat	◀	◀					◀	



Shaftwall, profiles, the control panel and handle can be ordered in any RAL-colours.



Standard: Anti slip rubber carpet, dark grey



Intercom communication



Wall telephone



Hidden: Auto dialer



LED spots in the ceiling



Folded seat



Floor - Our carpets are slip-resistant regardless of the degree of wear. They are easy to clean with a long dirt repellency for improved hygienic and safety demands in different environments.

Glass can be ordered as an alternative to steel panels.

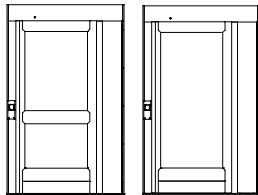
The glass is tempered laminated glass 8,76 mm, in optional tints, see below.

ACCESSORIES	A5000	A7000	A6000 S	A6000	A9000	A4000	A8000	B385
SHAFT								
Powder coated shaft in any RAL colour	◀	◀	◀		◀	◀	◀	
Powder coated control panel in any RAL colour	◀	◀	◀		◀	◀	◀	◀
Extra control panel			◀	◀	◀			
Reinforced shaft panel	◀	◀	◀		◀	◀		
U bracket	◀	◀	◀			◀		
Telescopic bracket	◀	◀	◀			◀		
Glass panels in shaft with different finishes	◀	◀			◀	◀	◀	
Extra roof in steel for the machine room	◀	◀				◀	◀	
Extra roof in steel for the shaft	◀	◀			◀	◀	◀	
LIGHTING								
LED spots at the ceiling	◀	◀	STD		STD	◀	STD	
Fluorescent tubes at the ceiling	◀	◀				◀		
Shaft ceiling with emergency battery back up	◀	◀				◀	◀	
LED lights on control panel connected to aut. lighting	◀	◀	◀	◀		◀	◀	
Automatic lighting system	◀	◀	◀	◀	◀	◀	◀	
FLOOR								
Anti slippery rubber carpet, in dark grey	STD	STD	STD	STD	◀	STD	◀	
AltroContrax CX2009	◀	◀	◀	◀	STD	◀	STD	
Floor in aluminum	◀	◀				◀	◀	◀
Floor without carpet	◀	◀	◀	◀	◀	◀	◀	
Raised edges on the platform floor	◀	◀					◀	
Floor plate	◀	◀	◀			◀		
Steel plate under the platform/car	◀	◀	◀			◀		
DOOR								
Concealed door opener	◀	◀	◀	STD	STD	◀		
External door opener	◀	◀	◀			◀		
Light curtain between the sliding door blades				◀	◀			

Door models

Painted steel or anodized aluminum

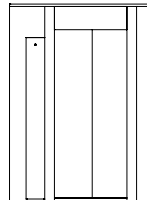
All glazed doors have a toughened laminated safety glass.



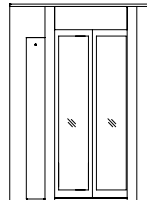
AL3

AL4

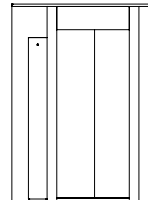
Glazed doors in natural anodized aluminium with a cross bar or panoramic glass panel.



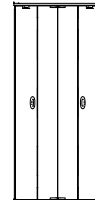
AS0



AS1

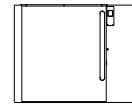


ASEI

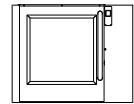


AF0

Steel sliding doors for cabin lifts
AS0 Std. no glass sections. AS1 With glass.
ASEI Fire resistant door (60 min.) No glass.
AF0 is a steel folding door for Cibes A6000 cabin model.

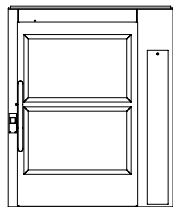


A15

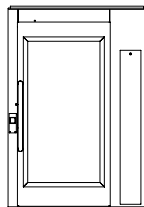


A25

Gates – with or without a glass panel.

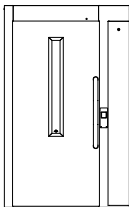


A30

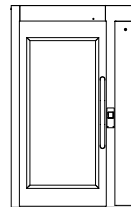


A40

Steel doors for the A8000, with a cross bar or panoramic glass panel.

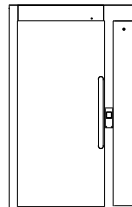


A10



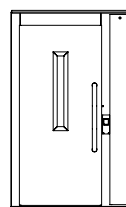
A20

Steel doors with a small vision panel or a panoramic glass.

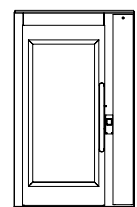


A0

Painted steel door with no glass.
For Cibes A6000S.



EI60



EI60G

Fire resistant door (EI60) with a small vision panel or (EI60G) with a panoramic glass.

DOORS

Cibes lift model	A4000						A6000S	A9000		
	AL3	AL4	A10	A20	EI60*	EI60G*	(folded doors)	AS0	AS1	ASEI*
Clear door opening mm, (wxh)	700x2000**	700x2000**	700x2000***	700x2000***	700x2000	700x2000	894x2100	900x2100	900x2100	900x2100
Glass size mm, (wxh)	540x535 540x935	540x1600	90x1010	525x1590	75x800	500x1563	No glass	No glass	370x1910 370x1910	No glass
Surface material / RAL colour	N. anodized aluminium	N. anodized aluminium	Steel 9016	Steel 9016	Steel 9016	Steel 9016	Steel 9016	Steel 7004/7024	Steel 7004/7024	Steel 7004/7024
Concealed door closer	Yes	Yes	Yes	Yes	Yes	Yes	-	-	-	-
Concealed door opener	No	No	Option	Option	Option	Option	Yes	Yes	Yes	Yes
Handle	Integrated in door blade	Integrated in door blade	External	External	External	External	-	-	-	-
Modification of size possible	Yes	Yes	Yes	Yes	Yes	Yes	No	No	No	No

* Fire resistant door according to EN 81-58

** Clear door opening h. 1800-2100 mm possible

*** Clear door opening h. 1800-2300 mm possible

**** For internal lift car

DOORS							
Cibes lift model	A5000/A6000S/A7000					A4000/A5000	
Door name	AL3	AL4	A10	A20	A0	A25 gate	A15 gate
Clear door opening mm, (wxh)	900x2000**	900x2000**	900x2000***	900x2000***	900x2000***		
Glass size mm, (wxh)	740x535 740x935	740x1600	90x1010	725x1590	No glass	710x710	No glass
Surface Material/ RAL Colour	N. anodized aluminium	N. anodized aluminium	Steel 9016	Steel 9016	Steel 9016	Steel 9016	Steel 9016
Concealed door closer	Yes	Yes	Yes	Yes	Yes	Yes	Yes
Concealed door opener	No	No	Option	Option	Option	Yes	Yes
Handle	Integrated in door blade	Integrated in door blade	External	External	External	External	External
Modification of size possible	Yes	Yes	Yes	Yes	Yes	Yes	Yes



A10 - EI60

A20 - EI60G

AL3

AL4

A15

A25

DOORS						
Cibes lift model	A8000				A5000/A6000S/A7000	
Door name	A30	A40	EI60*	EI60G*	EI60*	EI60G*
Clear door opening mm, (wxh)	1300x2000***	1000x2000***	1000x2000/ 1200x2000***	1000x2000***	900x2000	900x2000
Glass size mm, (wxh)	1090x650 1090x650	800x1563	75x800	800x1563	75x800	700x1563
Surface Material/ RAL Colour	Steel 9016	Steel 9016	Steel 9016	Steel 9016	Steel 9016	Steel 9016
Concealed door closer	Yes	Yes	Yes	Yes	Yes	Yes
Handle	External	External	External	External	External	External
Modification of size possible	Yes	Yes	Yes	Yes	Yes	Yes

* Fire resistant door according to EN 81-58

** Clear door opening h. 1800-2100 mm possible

*** Clear door opening h. 1800-2300 mm possible

Cibes platform and car sizes

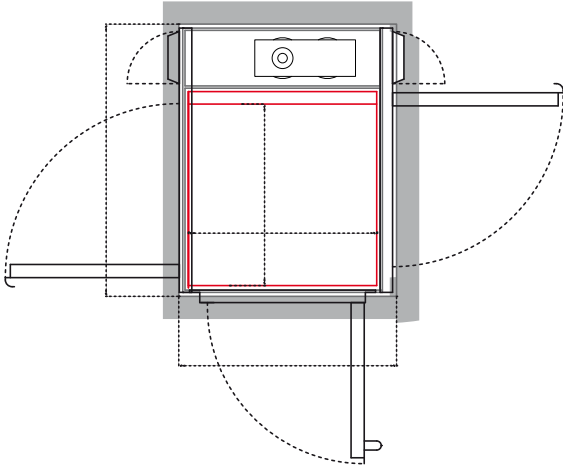
Standard dimensions

Cibes A4000

Standard size, mm

Platform size: 800x830

Footprint: 1200x993

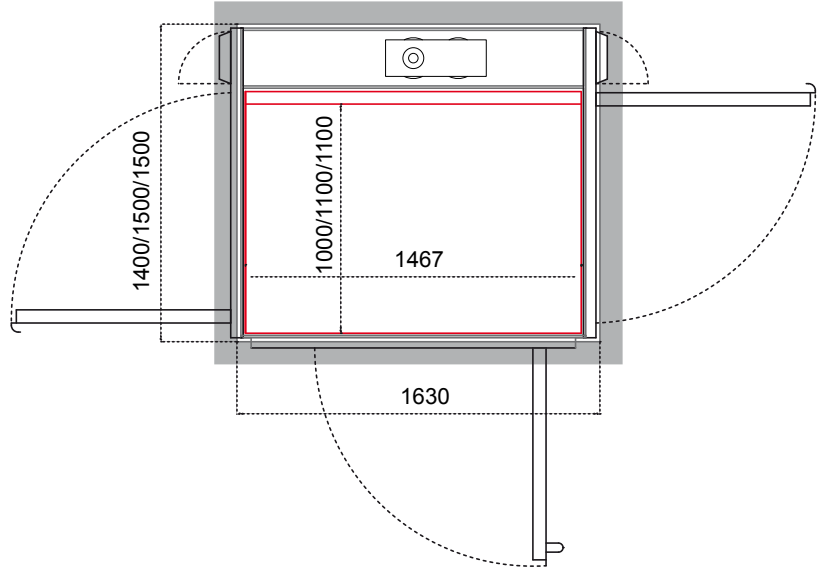


Cibes A5000/A7000

Standard size, mm

Platform size: 1000x1467 / 1100x1467

Footprint: 1400x1630/1500x1630

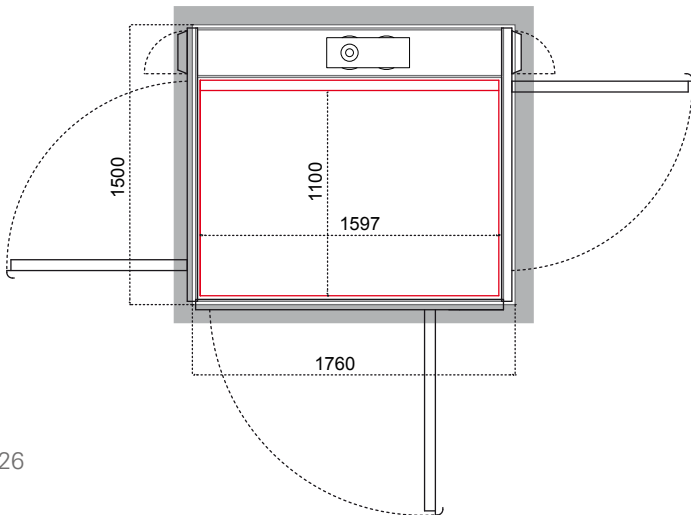


Cibes A5000

Standard size, mm

Platform size: 1100x1597

Footprint: 1500x1760

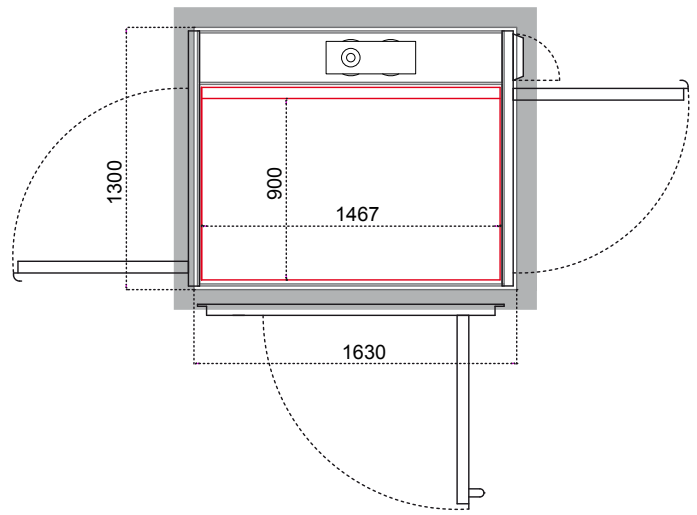


Cibes A5000/A7000

Semi standard size, mm

Platform size: 900x1467

Footprint: 1300x1630



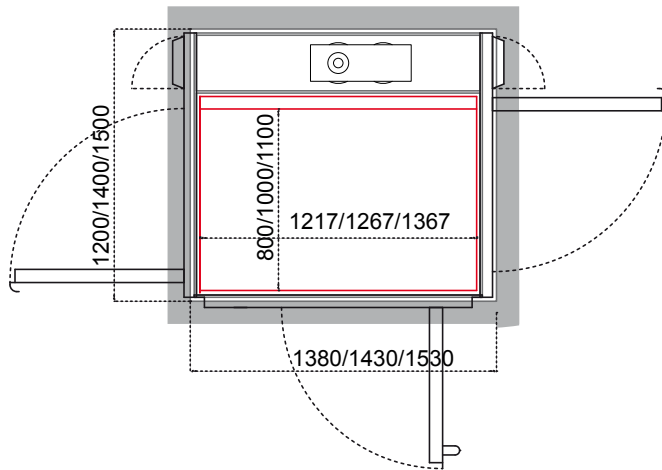
The footprint above is general and applies to installations in already existing shaft in the building. The exact footprint vary depending on the configuration of the lift, and site conditions, please consult your local distributor for more information.

Cibes A5000

Semi standard size, mm

Platform size: 800x1217/1000x1267/1100x1367

Footprint: 1200x1380/1400x1430/1500x1530

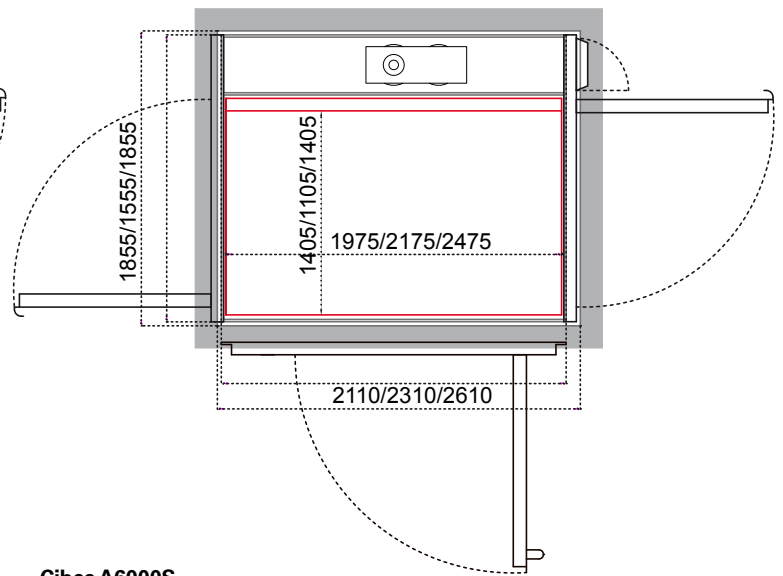


Cibes A8000

Standard size, mm

Platform size: 1405x1975 /1105x2175 /1405x2475

Footprint: 1855x2110/1555x2310/1855x2610

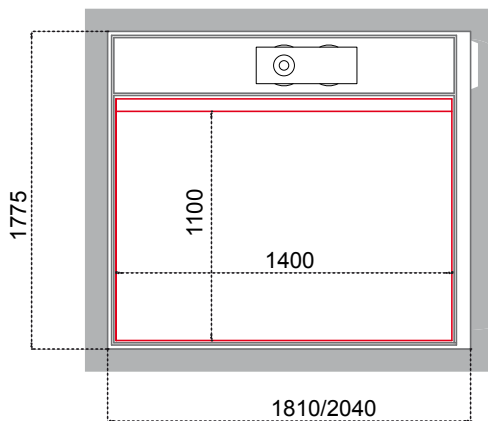


Cibes A9000

Standard size, mm

Car size: 1100x1400

Footprint: 1775x1810/1775x2040

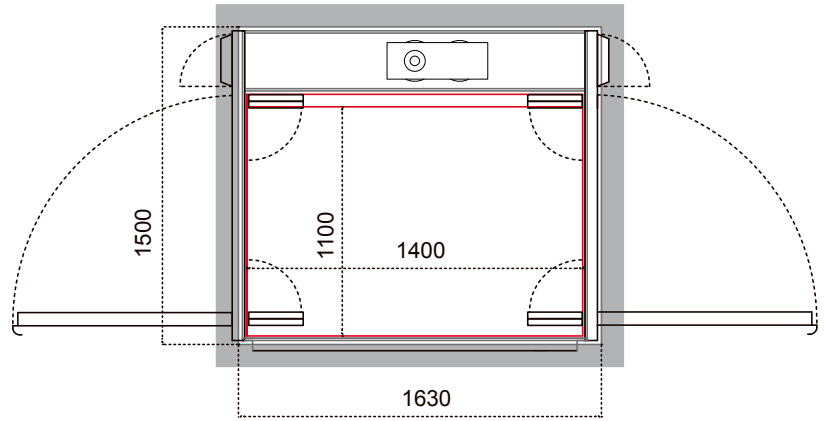


Cibes A6000S

Standard size, mm

Car size: 1100x1400

Footprint: 1500x1630





Gate, open through.
2 landings. *



Gate, adjacent.
2 landings. *



Gate, single entry.
2 landings. *



Full height doors, single entry.
2 landings.



Full height doors,
open through. 2 landings.



Full height doors, adjacent.
2 landings.



Full height doors,
open through. 3 landings.



Full height doors, adjacent,
open through. 3 landings.




Full height doors, single entry.
3 landings.

* max 3 m travel height

Example of different configurations

Technical specifications

Model	Cibes A4000	Cibes A5000 / A7000
Location	Indoor	Indoor (A5000 Outdoor)
Rated load	300 kg	400 kg / 500 kg
Travel height	Up to 13 m	Up to 13 m
Min.headroom at top landing	2250 mm	A5000: 2250 mm, A7000: 2350 mm
Pit	50 mm	50 mm
Platform sizes (w x d)	800x830 mm	1000x1467/1100x1467/1100x1597 mm ¹⁾
Shaft sizes (w x d)	1160x872	1360x1509/1460x1509/1460x1639 mm ²⁾
Cut out sizes (w x d)	1200x993 mm	1400x1630/1500x1630/1500x1760 mm ³⁾
Max. number of stops	4	6
Travel speed (m/s)	Max 0.15 m/s	Max 0.15 m/s
Standard shaft	Steel panels offwhite RAL 9016 *	Steel panels offwhite RAL 9016 *
Door configuration	Single-entry, open through, adjacent	Single-entry, open through, adjacent
Doors	Single hinged doors or gates	Single hinged doors or gates
Clear door opening sizes (hxw)	2000x700 mm	2000x900 mm
Clear door opening sizes, gate (hxw)	1100x700 mm (travel height <3 m)	1100x900 mm (travel height <3 m)
Drive system	Screw-driven with safety nut	Screw-driven with safety nut
Control system	Micro computer based Canbus system	Micro computer based Canbus system
Standard power supply **	400 VAC 3-phase 50/60 Hz 16A Slow **	400 VAC 3-phase 50/60 Hz 16A Slow **
Rated motor power	2.2kW	2.2kW
Control buttons	One touch from landings, hold-to run from platform	One touch from landings, hold-to run from platform
Electrical compartment	Integrated	Integrated
Complies with	EN 81-41 / MD 2006/42/EC	EN 81-41 / MD 2006/42/EC
Manufactured in	Sweden	Sweden
Accessibility		

* Glazed shaft as option

** VFD (Variable Frequency Drive) 1- or 3-phase as options

¹⁾ Semistandard platform sizes:

800x1217/900x1467/1000x1267/1100x1367

²⁾ Semistandard shaft sizes:

1160x1259/1260x1509/1360x1309/1460x1409

³⁾ Semistandard cut out sizes:

1200x1380/1300x1630/1400x1430/1500x1530






Cibes A4000



Cibes A5000

Technical specifications

Model	Cibes A9000	Cibes A6000S	Cibes A6000
Location	Indoor	Indoor	Indoor
Rated load	630 kg	400 kg	400 kg
Travel height	Up to 13 m	Up to 13 m	Up to 13 m
Min.headroom at top landing	2700 mm	2500 mm	2700 mm
Pit depth without ramp	100 mm	70 mm	70 mm
Platform / car sizes (w x d x h)	1100x1400x2200 mm	1100x1400x2200 mm	1100x1400x2200 mm
Shaft sizes (w x d)	1735x1770 mm / 1735x2000 mm	1460x1520 mm	-
Cut out sizes (w x d)	1775x1810*** / 1775 x 2040 mm****	1500x1760 mm	
Max. number of stops	6	6	6
Travel speed (m/s)	Max 0.15 m/s	Max 0.15 m/s	Max 0.15 m/s
Standard shaft	Steel panels offwhite RAL 9016 *	Cabin & car: Steel panels RAL 9016	(Cabin in steel panels RAL 9016)
Door configuration	Single-entry, open through	Single-entry, open through	Single-entry, open through
Doors	Sliding doors	Shaft: Single hinged, Car: folding doors	Telescopic doors
Clear door opening sizes (hxw)	2100x900 mm	Shaft: 900x2000, Car: 900x2100 mm	2100x900 mm
Drive system	Screw-driven with safety nut	Screw-driven, with safety nut	Screw-driven with safety nut
Control system	Micro computer based Canbus system	Micro computer based Canbus system	Micro computer based Canbus system
Standard power supply	400 VAC 3-phase 50/60 Hz .16A slow. VFD**	400 VAC 3-phase 50/60 Hz 16 A	3x400VAC, 3x230VAC
Rated motor power	4.0kW	4 kW	4.0kW
Control buttons	Auto-run from landings and platform	Auto-run from landings & inside	Auto-run from landings & inside
Electrical compartment	Integrated	Integrated	External fitted
Complies with	MD 2006/42/EC/FN01	European MD 2006/42/EC	Applicable parts of EN 81-41, EN 81-70
Manufactured in	Sweden	Sweden	Sweden
Accessibility			

* Glazed shaft as option

** VFD (Variable Frequency Drive) 1- or 3-phase as options

*** Doors on same side

**** Open through

***** 1-phase with VFD as option

***** Outside sizes vary depending on the configuration of the lift, and site specifications







Cibes A9000



Cibes A6000S

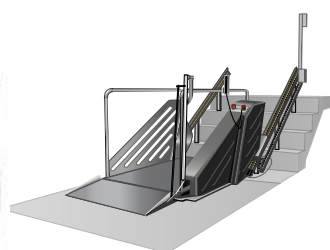


Cibes A6000

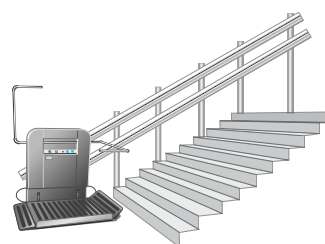
Cibes A8000	Cibes S200	Cibes S300	Cibes B385
Indoor	Outdoor	Indoor / Outdoor	Indoor / Outdoor
1000 kg	300 kg	300 kg	385 kg
Up to 13 m	Up to 15 m	Up to 15 m	Up to 3 m
2300 mm	1800 mm	1800 mm	2250mm
130 mm	0 mm	0 mm	60 mm
1405x1975/1405x2475/1105x2175 mm	800x1250 mm	800x1000 mm	1050x1450 (1050x1650)mm
1825x2060/1825x2560/1525x2260 mm			1300x1890/2090mm *****
1855x2110/1855x2610/1555x2310 mm			-
6	2	2	2
Max 0.15 m/s	Max 0.15 m/s	Max 0.15 m/s	Max 0.06 m/s
Steel panels offwhite RAL 9016 *	n/a	n/a	RAL 9006 / Galvanized
Single-entry, open through, adjacent	Open through	Open through, adjacent	Open through, adjacent
Single hinged doors	-	-	Saloon doors
1300x2000/2100 alt. 1000x2000/2100 mm	-	-	1100x900 mm
Screw-driven with safety nut	Rack and pinion	Rack and pinion	Screw drive
Micro computer based Canbus system	Micro computer based system	Micro computer based system	
400 VAC 3-phase 50/60 Hz 16A slow. VFD**	230 VAC 1-phase 50 Hz, 10A	230VAC 1-phase 50 Hz, 10A	400 V
4.0kW	0.75kW	0.75kW	1.5kW
Auto-run from landings, hold-to run from platform	Hold-to-run	Hold-to-run	Hold-to-run
Integrated	No	No	Integrated
MD 2006/42/EC	MD 2006/42/EC	MD 2006/42/EC	MD 2006/42/EC
Sweden	Sweden	Sweden	
			



Cibes A8000



Cibes S200



Cibes S300



Would you rather climb the stairs... or take the lift?

Lift solutions from Cibes Lift provide
accessibility for everyone

B_C001.GB.2014 © Cibes Lift AB 2014.