



Cibes Lift Group Technical Specifications Brochure

Technical Specifications

Model	Cibes A4000	Cibes A5000
Location	Indoor	Indoor / Outdoor
Rated load	300 kg	400 kg / 500 kg
Travel height	Max 13 m	Max 13 m
Min.headroom at top landing	2250 mm	2250 mm
Pit depth without ramp	50 mm	50 mm
Platform/car sizes (wxdxh)	800x830/1000x830/ 1000x930/1100x930 mm	800x1217/900x1467/1000x1267/1100x1367/ 1000x1467/1100x1467/1100x1597/ 1000x1967 mm
Prefabricated shaft size (wxd)	1160x872/1360x872/1360 x972/ 1460x972 mm	1160x1259/1260x1509/1360x1309/1460x1409/ 1360x1509/1460x1509/1460x1639/1360x2009 mm
Cut out sizes (wxd)	1200x993/1400x993/1400x1093/ 1500x1093 mm	1200x1380/1300x1630/1400x1630/1500x1530/ 1400x1630/1500x1630/1500x1760/1400x2130 mm
Max. number of stops	6	6
Travel speed (m/s)	Max 0.15 m/s	Max 0.15 m/s
Standard shaft	Steel panels off white RAL 9016	Steel panels off white RAL 9016
Door configuration	Single-entry, open through, adjacent	Single-entry, open through, adjacent
Doors	Swing doors or gates	Swing doors or gates
Clear door opening sizes (wxd)*	700/800/900x2000 mm	700/750/800/900/1000x2000 mm
Clear door opening sizes, gate (wxh)*	700/900x1100 mm (A/C only)	700/750/800/900/1000x1100 mm
Drive system	Screw-driven with safety nut	Screw-driven with safety nut
Control system	Micro computer based system	Micro computer based system
Power supply	3x400/3x230/1x230 VAC	3x400/3x230/1x230 VAC
Rated motor power	2.2kW	2.2kW
Machine room	Integrated	Integrated
Complies with	EN 81-41 / MD 2006/42/EC	EN 81-41 / MD 2006/42/EC
Manufactured in	Sweden	Sweden

*Standard clear opening sizes, others may be available upon request.



Cibes A4000



Cibes A5000

Cibes A8000	Cibes A9000	Cibes A6000
Indoor	Indoor	Indoor
1000 kg	630 kg	400 kg
Max 13 m	Max 13 m	Max 13 m
2300 mm	2700 mm	2700 mm
130 mm	100 mm	70 mm
1405x1980/1405x2480/1105x2180 mm	1100x1400x2200 mm	1100x1400x2200 mm
1825x2056/1825x2556/1525x2256 mm	1735x1730/1920 mm	N/A
1895x2135/1895x2635/1595x2335 mm	1775x1810/2040 mm	1550x1670/1790 mm
6	6	6
Max 0.15 m/s	Max 0.15 m/s	Max 0.15 m/s
N Steel panels offwhite RAL	Steel panels off white RAL 9016	N/A
Single-entry, open through, adjacent	Single-entry, open through,	Single-entry, open through
Swing doors	Sliding doors	Sliding doors
1300/1000x2000/2100 mm	900x2100 mm	900x2100 mm
-	N/A	N/A
Screw-driven with safety nut	Screw-driven with safety nut	Screw-driven with safety nut
Micro computer based system	Micro computer based system	Micro computer based system
3x400/3x230 VAC	3x400/3x230 VAC	3x400/3x230 VAC
4.0kW	4.0kW	4.0kW
Integrated	Integrated	Integrated
MD 2006/42/EC	MD 2006/42/EC	MD 2006/42/EC
Sweden	Sweden	Sweden



Cibes A8000



Cibes A9000

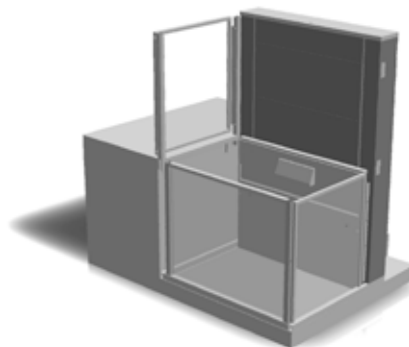


Cibes A6000

Technical Specifications

Model	Cibes A6000S	Cibes B385	Cibes S300
Location	Indoor	Indoor/Outdoor	Indoor/Outdoor
Rated load	400 kg	385 kg	300 kg
Travel height	Max 13 m	Max 3 m	Max 15 m, 15-45°
Min.headroom at top landing	2500 mm	1300 mm	N/A
Pit depth without ramp	70 mm	60 mm	N/A
Platform/car sizes (wxdxh)	1100x1400x2200 mm	900x1400/1100x1400/ 1100x1600 mm	800x1000/800x1250 mm
Prefab. shaft size (wxd)	1460x1639 mm	1290x1520/1490x1520/ 1490x1720 mm	N/A
Cut out sizes (wxd)	1500x1760	N/A	N/A
Max. number of stops	6	2	2
Travel speed (m/s)	Max 0.15 m/s	Max 0.06 m/s	Max 0.15 m/s
Standard shaft	Steel panels off white RAL 9016	N/A	N/A
Door configuration	Single-entry, open through	Open through, adjacent	Open through, adjacent
Doors	Swing doors + folding door	Gates	N/A
Clear door opening sizes (wxd)*	900x2100 mm	N/A	N/A
Clear door opening sizes, gate (wxd)*	N/A	900x1100 mm	N/A
Drive system	Screw-driven with safety nut	Screw-driven with safety nut	Rack and pinion
Control system	Micro computer based system	PLC based system	PLC based system
Power supply	3x400/3x230 VAC	3x400/1x230 VAC	1x230 VAC
Rated motor power	4.0kW	1.5kW	0.75kW
Machine room	Integrated	Integrated	Integrated
Complies with	MD 2006/42/EC	MD 2006/42/EC	MD 2006/42/EC
Manufactured in	Sweden	Poland	Sweden

*Standard clear opening sizes, others may be available upon request.



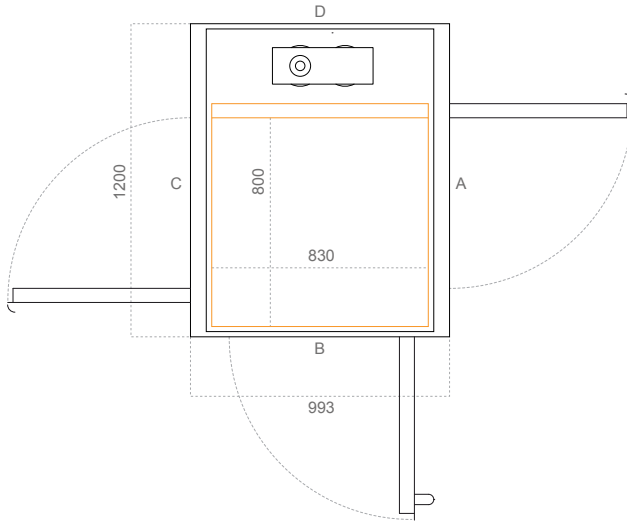
Cibes B385



Cibes S300

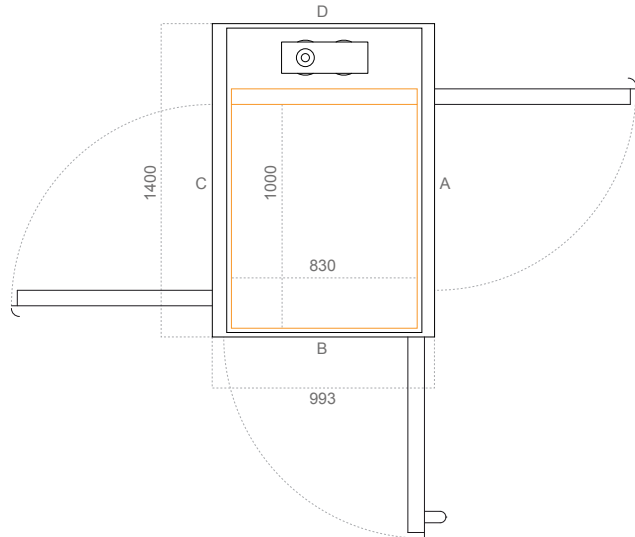
Cibes Lift Sizes

Cibes A4000 Option 1 (wxd) mm	
Platform size	800x830
Footprint	1160x872
Cut out size	1200x993



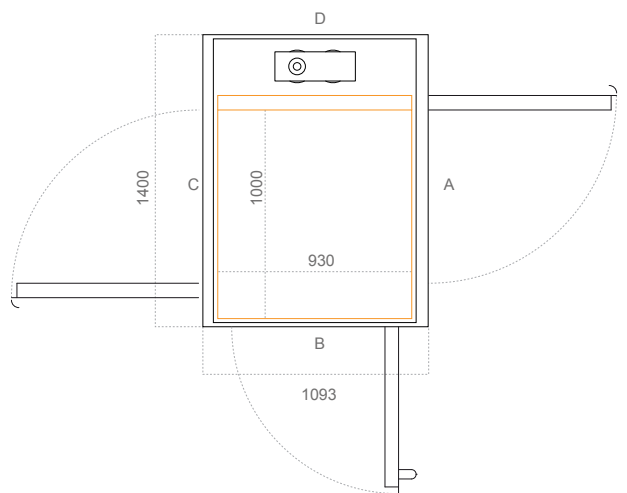
Door Opening Width mm		
Door Type	Side A/C	Side B
A10/A20 (steel)	700	700
AL4 (aluminium)	700	/
EI60/EI60G (fire rated)	700	/
A15/A25 (gate)	700	/

Cibes A4000 Option 2 (wxd) mm	
Platform size	1000x830
Footprint	1360x872
Cut out size	1400x993



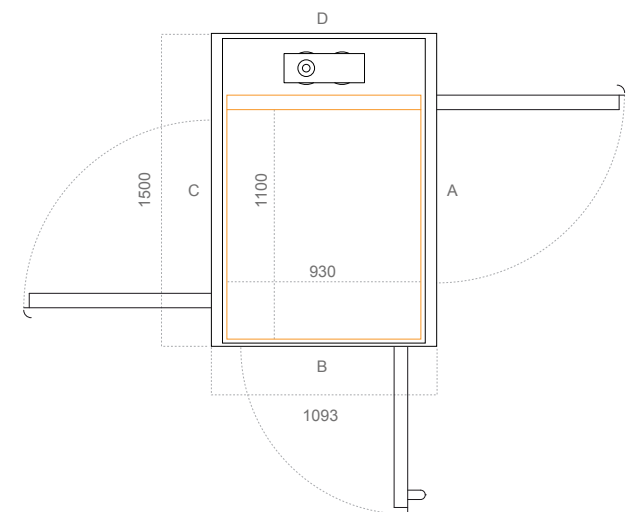
Door Opening Width mm		
Door Type	Side A/C	Side B
A10/A20 (steel)	900	700
AL4 (aluminium)	900	/
EI60/EI60G (fire rated)	900	/
A15/A25 (gate)	900	/

Cibes A4000 Option 3 (wxd) mm	
Platform size	1000x930
Footprint	1360x972
Cut out size	1400x1093



Door Opening Width mm		
Door Type	Side A/C	Side B
A10/A20 (steel)	900	800
AL4 (aluminium)	900	/
EI60/EI60G (fire rated)	900	/
A15/A25 (gate)	900	/

Cibes A4000 Option 4 (wxd) mm	
Platform size	1100x930
Footprint	1460x972
Cut out size	1500x1093

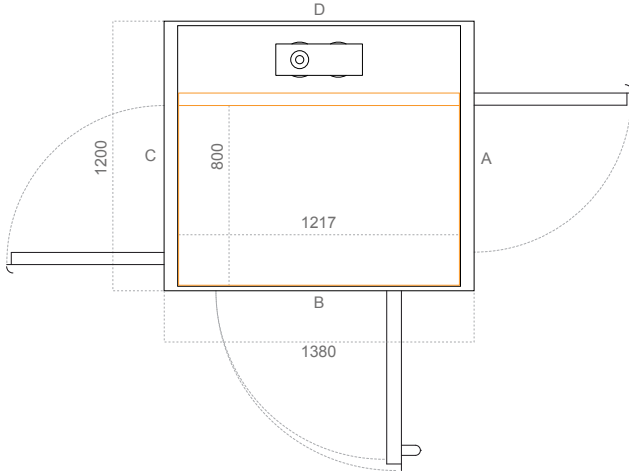


Door Opening Width mm		
Door Type	Side A/C	Side B
A10/A20 (steel)	900	800
AL4 (aluminium)	900	/
EI60/EI60G (fire rated)	900	/
A15/A25 (gate)	900	/

Cibes Lift Sizes

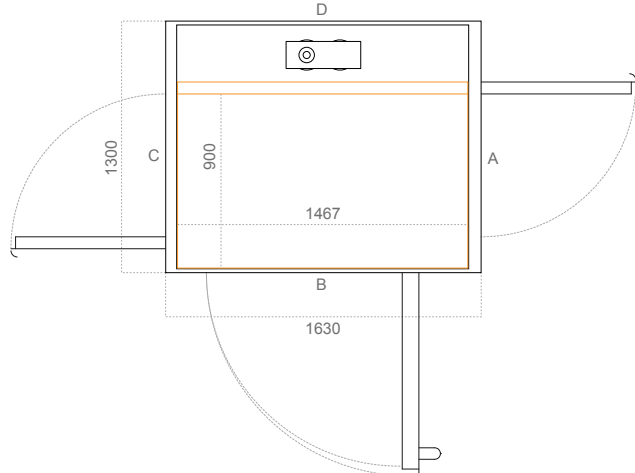
Cibes A5000 Option 1 (wxd) mm

Platform size	800x1217
Footprint	1160x1259
Cut out size	1200x1380



Cibes A5000 Option 2 (wxd) mm

Platform size	900x1467
Footprint	1260x1509
Cut out size	1300x1630



Door Opening Width mm

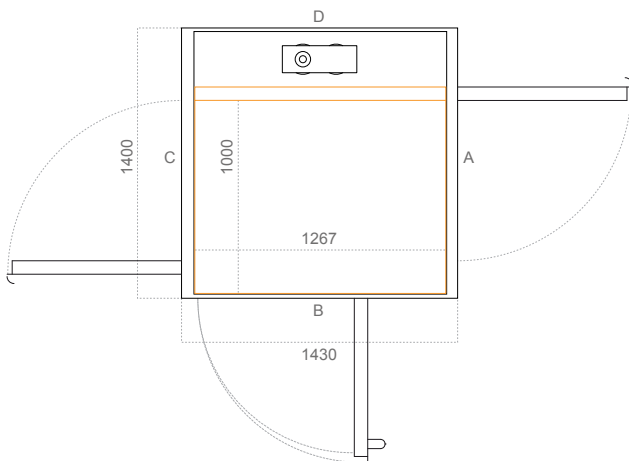
Door Type	Side A/C	Side B
A10/A20 (steel)	700	750
AL4 (aluminium)	700	800
E160/E160G (fire rated)	700	750
A15/A25 (gate)	700	750

Door Opening Width mm

Door Type	Side A/C	Side B
A10/A20 (steel)	800	1000
AL4 (aluminium)	800	1050
E160/E160G (fire rated)	800	1000
A15/A25 (gate)	800	1000

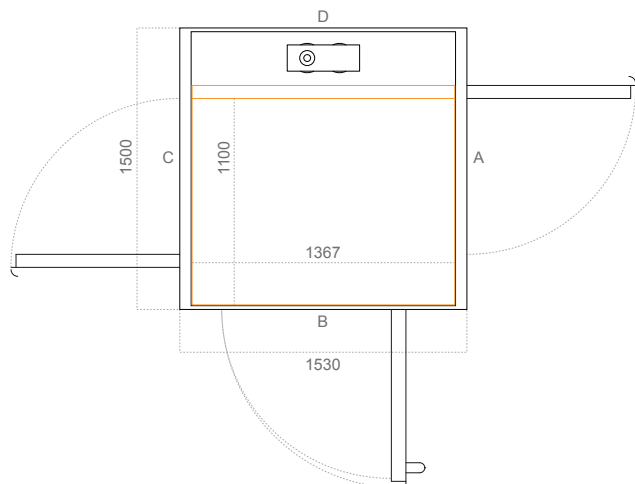
Cibes A5000 Option 3 (wxd) mm

Platform size	1000x1267
Footprint	1360x1309
Cut out size	1400x1430



Cibes A5000 Option 4 (wxd) mm

Platform size	1100x1367
Footprint	1460x1409
Cut out size	1500x1530



Door Opening Width mm

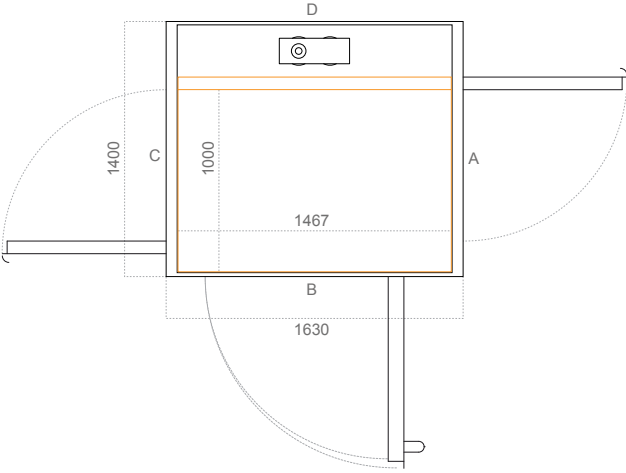
Door Type	Side A/C	Side B
A10/A20 (steel)	900	800
AL4 (aluminium)	900	850
E160/E160G (fire rated)	900	800
A15/A25 (gate)	900	800

Door Opening Width mm

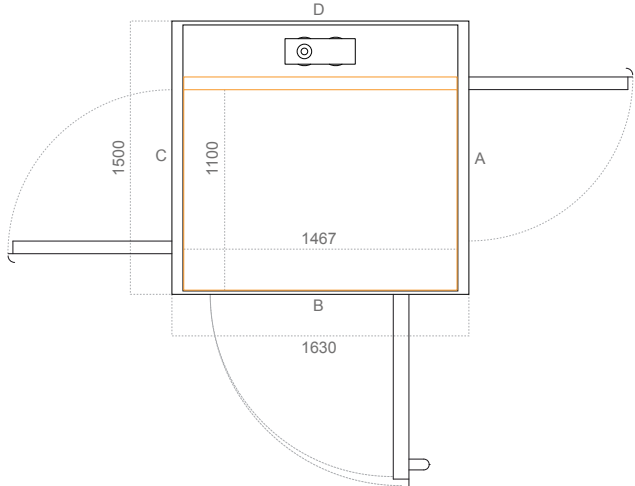
Door Type	Side A/C	Side B
A10/A20 (steel)	900	900
AL4 (aluminium)	900	950
E160/E160G (fire rated)	900	900
A15/A25 (gate)	900	900

Cibes Lift Sizes

Cibes A5000 Option 5 (wxd) mm	
Platform size	1000x1467
Footprint	1360x1509
Cut out size	1400x1630



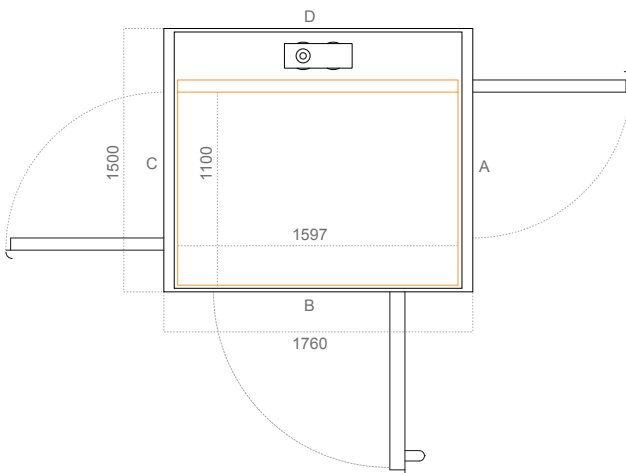
Cibes A5000 Option 6 (wxd) mm	
Platform size	1100x1467
Footprint	1460x1509
Cut out size	1500x1630



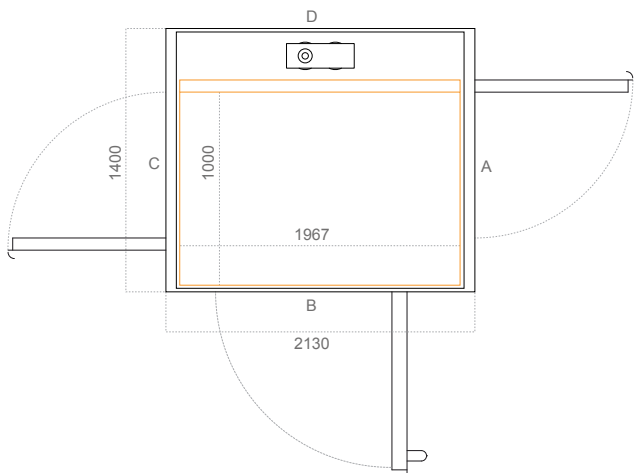
Door Opening Width mm		
Door Type	Side A/C	Side B
A10/A20 (steel)	900	1000
AL4 (aluminium)	900	1050
E160/E160G (fire rated)	900	1000
A15/A25 (gate)	900	1000

Door Opening Width mm		
Door Type	Side A/C	Side B
A10/A20 (steel)	900	1000
AL4 (aluminium)	900	1050
E160/E160G (fire rated)	900	1000
A15/A25 (gate)	900	1000

Cibes A5000 Option 7 (wxd) mm	
Platform size	1100x1597
Footprint	1460x1639
Cut out size	1500x1760



Cibes A5000 Option 8 (wxd) mm	
Platform size	1000x1967
Footprint	1360x2009
Cut out size	1400x2130



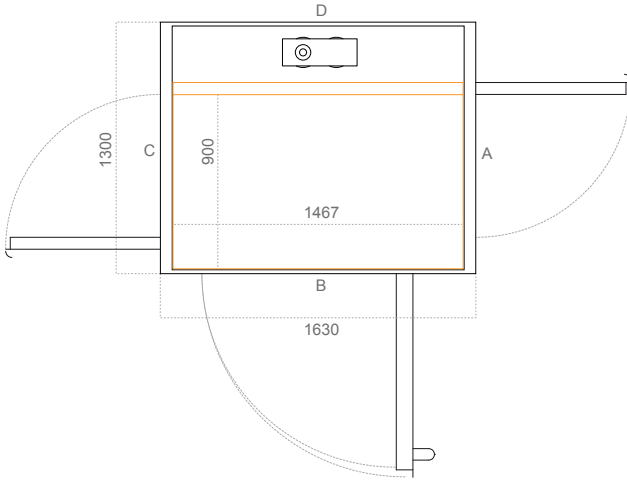
Door Opening Width mm		
Door Type	Side A/C	Side B
A20/A10/A0 (steel)	900	1000
AL4 (aluminium)	900	/
E160/E160G (fire rated)	900	/
A15/A25 (gate)	900	/

Door Opening Width mm		
Door Type	Side A/C	Side B
A10/A20 (steel)	900x2000	/
AL4 (aluminium)	900x2000	/
E160/E160G (fire rated)	900x2000	/
A15/A25 (gate)	900x1100	/

Cibes Lift Sizes

Cibes High Back Option 1 (wxd) mm

Platform size	900x1467
Footprint	1260x1509
Cut out size	1300x1630

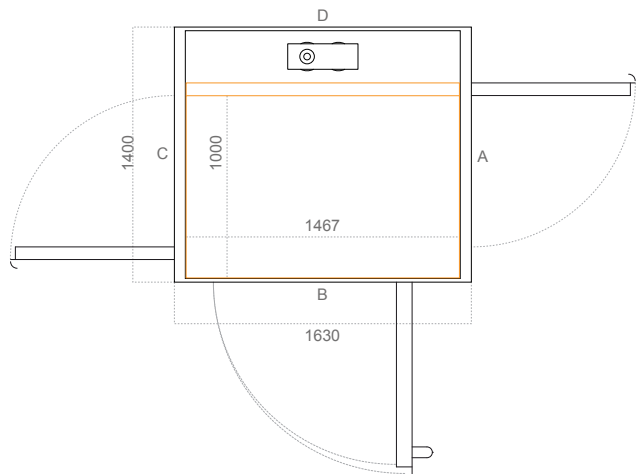


Door Opening Width mm

Door Type	Side A/C	Side B
A10/A20 (steel)	800	1000
AL4 (aluminium)	800	1050
E160/E160G (fire rated)	800	1000

Cibes High Back Option 2 (wxd) mm

Platform size	1000x1467
Footprint	1360x1509
Cut out size	1400x1630

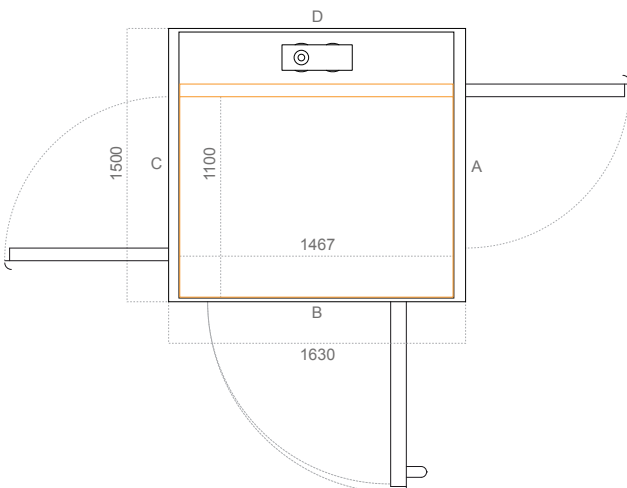


Door Opening Width mm

Door Type	Side A/C	Side B
A10/A20 (steel)	900	1000
AL4 (aluminium)	900	1050
E160/E160G (fire proof)	900	1000

Cibes High Back Option 3 (wxd) mm

Platform size	1100x1467
Footprint	1460x1509
Cut out size	1500x1630

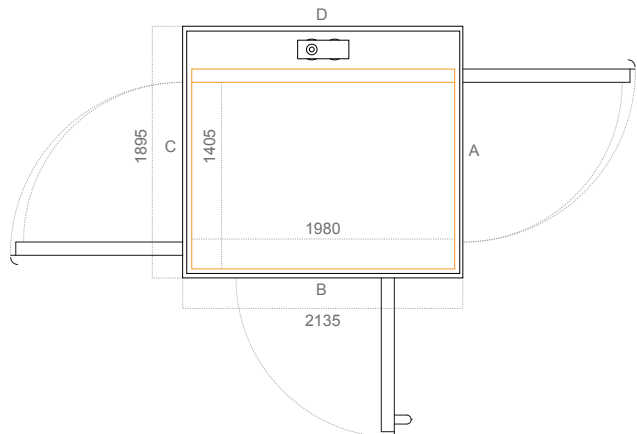


Door Opening Width mm

Door Type	Side A/C	Side B
A10/A20 (steel)	900	1000
AL4 (aluminium)	900	1050
E160/E160G (fire proof)	900	1000

Cibes A8000 Option 1 (wxd) mm

Platform size	1405x1980
Footprint	1825x2056
Cut out size	1895x2135

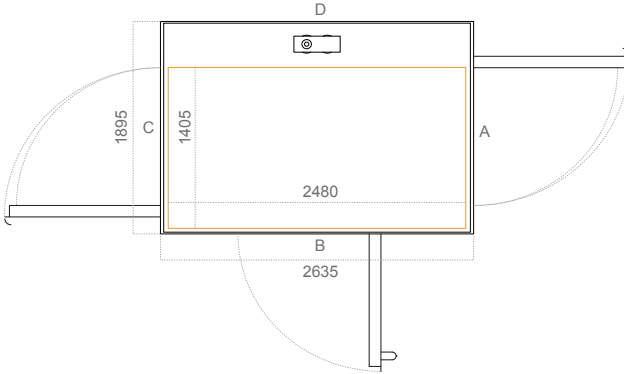


Door Opening Width mm

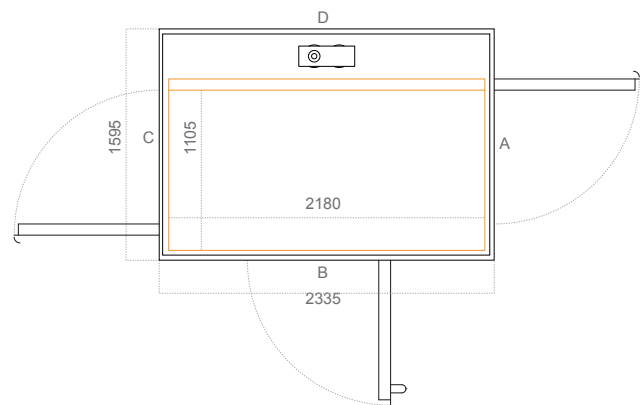
Door Type	Side A/C	Side B
A30 (steel)	1300	1300
EI60 (fire rated)	1200	/

Cibes Lift Sizes

Cibes A8000 Option 2 (wxd) mm	
Platform size	1405x2480
Footprint	1825x2556
Cut out size	1895x2635



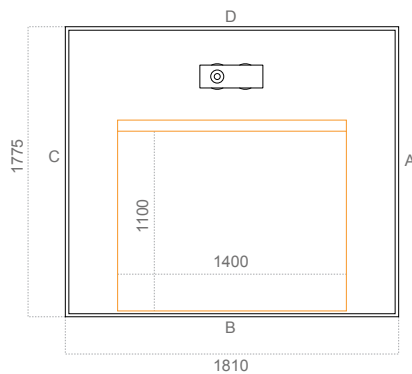
Cibes A8000 Option 3 (wxd) mm	
Platform size	1105x2180
Footprint	1525x2256
Cut out size	1595x2335



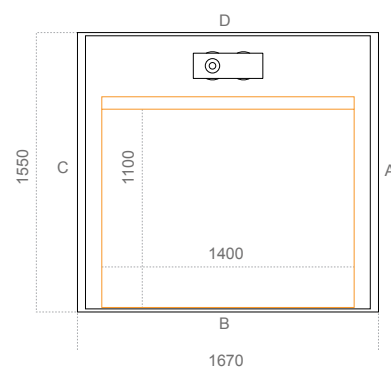
Door Opening Width mm		
Door Type	Side A/C	Side B
A30 (steel)	1300	1300
EI60 (fire rated)	1200	/

Door Opening Width mm		
Door Type	Side A/C	Side B
A40 (steel)	1000	1000
EI60 (fire rated)	1000	/
EI60G (fire rated)	1000	/

Cibes A9000 (wxd) mm	
Cabin size	1100x1400x2200
Footprint	1735x1997
Cut out size	1775x2040



Cibes A6000 (shaftless) (wxd) mm	
Cabin size	1100x1400x2220
Cut out size	1550x1670 (AS2 doors on A side)
Cut out size	1550x1790 (AS2 door on AC side)
Cut out size	1550x1820 (E120 door on AC side)



Door Opening Width mm		
Door Type	Side A/C	Side B
AS0 (steel sliding door)	900x2100	/
AS1 (glazed sliding door)	900x2100	/
ASEI (fire rated)	900x2100	/

Door Opening Width mm		
Door Type	Side A/C	Side B
AS2	900x2100	/
E120 (fire rated)	900x2100	/

Cut out sizes above can only apply to our prefabricated shaft, the exact cut out sizes vary depending on the configuration of the lift and site specifications, please consult your local Cibes dealer or distributor for more information.

Door models

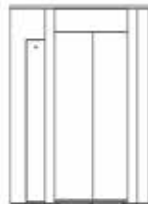
Painted steel or anodized aluminum

All glazed doors have a toughened laminated safety glass.



AL4

Doors in natural, anodized aluminium with panoramic glazing.

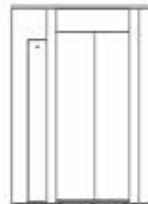


AS0/AS2/E120

AS0/AS2/E120 in steel, no glass, E120 is fire rated. AS1 in steel with glass. ASEI, steel, no glass, is fire rated. AF0 in steel, folding door in cabin for Cibes A6000S.



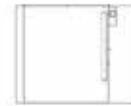
AS1



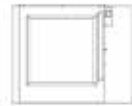
ASEI



AF0



A15



A25

Gates with or without glass.



A30

Steel doors for Cibes A8000, with cross bar or panoramic.



A40



A10

Steel doors with a small vision panel or panoramic.



A20



A0

Steel door without glass. For Cibes A6000S only.



EI60

Fire rated door with small vision panel (EI60) or panoramic (EI60G).



EI60G

DOORS for Cibes A5000, A4000 and A6000S

Door model	A20	A10/A0**	AL4****	EI60*	EI60G*	A25	A15	AF0**
Door type	Swing door	Swing door	Swing door	Swing door	Swing door	Swing door	Swing door	Folding door
Material	Steel	Steel	Steel	Steel	Steel	Steel	Steel	Steel
Standard finish	RAL 9016	RAL 9016	Natural alum.	RAL 9016	RAL 9016	RAL 9016	RAL 9016	RAL 9016
Glass (w×h) mm***	715×1573	90×1010/0	740×1600	75×800	700×1563	710×710	N/A	N/A
Concealed opener	Option	Option	Option	N/A	N/A	Option	Option	Standard
Ext. fitted opener	-	-	-	Option	Option	-	-	N/A
Customized wxh	Yes	Yes	Yes	Yes	Yes	Yes	Yes	No

*Fire rated EI60 according to standard EN 81-58.

**For A6000S only. A0 is a steel door without glass, AF0 a folding cabin door.

***Glass dimensions for doors/gates with a clear opening of 900×2000/1100 mm.

****Not available for side B on the Cibes A4000.

DOORS for Cibes A8000				
Door model	A30*	A40**	EI60***	EI60G***
Door type	Swing door	Swing door	Swing door	Swing door
Material	Steel	Steel	Steel	Steel
Standard finish	RAL 9016	RAL 9016	RAL 9016	RAL 9016
Glass (w×h) mm****	1090×650/1090×650	800×1563	75×800	800×1563
Concealed opener	-	-	-	-
Ext. fitted opener	Option	Option	Option	Option
Customized wxh	Yes	Yes	Yes	Yes

*For platform sizes 1405×1980 and 1405×2480 mm.

**For platform size 1105×2180 mm.

*** Fire rated EI60 according to standard EN 81-58. EI60G only for platform size 1105×2180.

****Glass dimensions for doors of standard dimensions side A/C.

DOORS FOR CIBES A6000 AND A9000					
Door model	AS2*	E120*	AS0**	AS1**	ASEI**
Door type	Sliding door	Sliding door	Sliding door	Sliding door	Sliding door
Material	Steel	Steel	Steel	Steel/glass	Steel
Standard finish	RAL 9016	RAL 9016	RAL 7024/7004	RAL 7024/7004	RAL 7024/7004
Glass (w×h) mm	N/A	N/A	N/A	370×1910/370×1910	N/A
Automatic open/close	Standard	Standard	Standard	Standard	Standard
Customized wxh	No	No	No	No	No

*For the A6000 only. Fire rated E120 according to standard EN 81-58.

**For the A9000 only. Fire rated EI60 according to standard EN 81-58.

Examples of different configurations



Gate, open through.
2 landings.



Gate, adjacent,
2 landings.



Gate, single entry,
2 landings.



Full height doors, single entry.
2 landings.



Full height doors, open through.
2 landings.



Full height doors, adjacent.
2 landings.



Full height doors, open through.
3 landings.



Full height doors, adjacent,
open through. 3 landings.



Full height doors, single entry.
3 landings.

