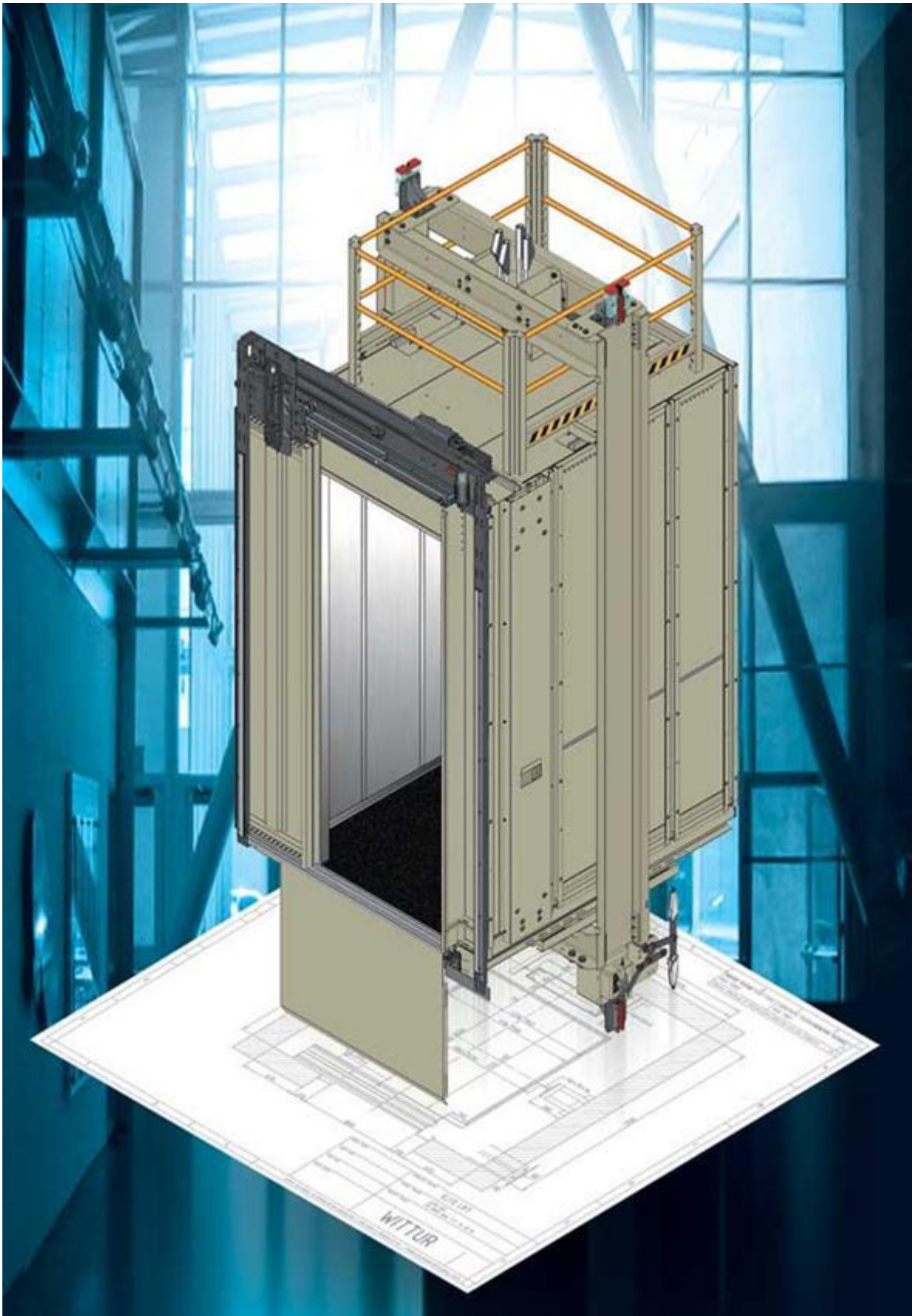

WITTUR

Systems

MRL

Wittur believes that to be "Excellent in Components" means to know the entire lift, therefore is providing its customers worldwide with systems, according to the respective country regulations and market requirements.

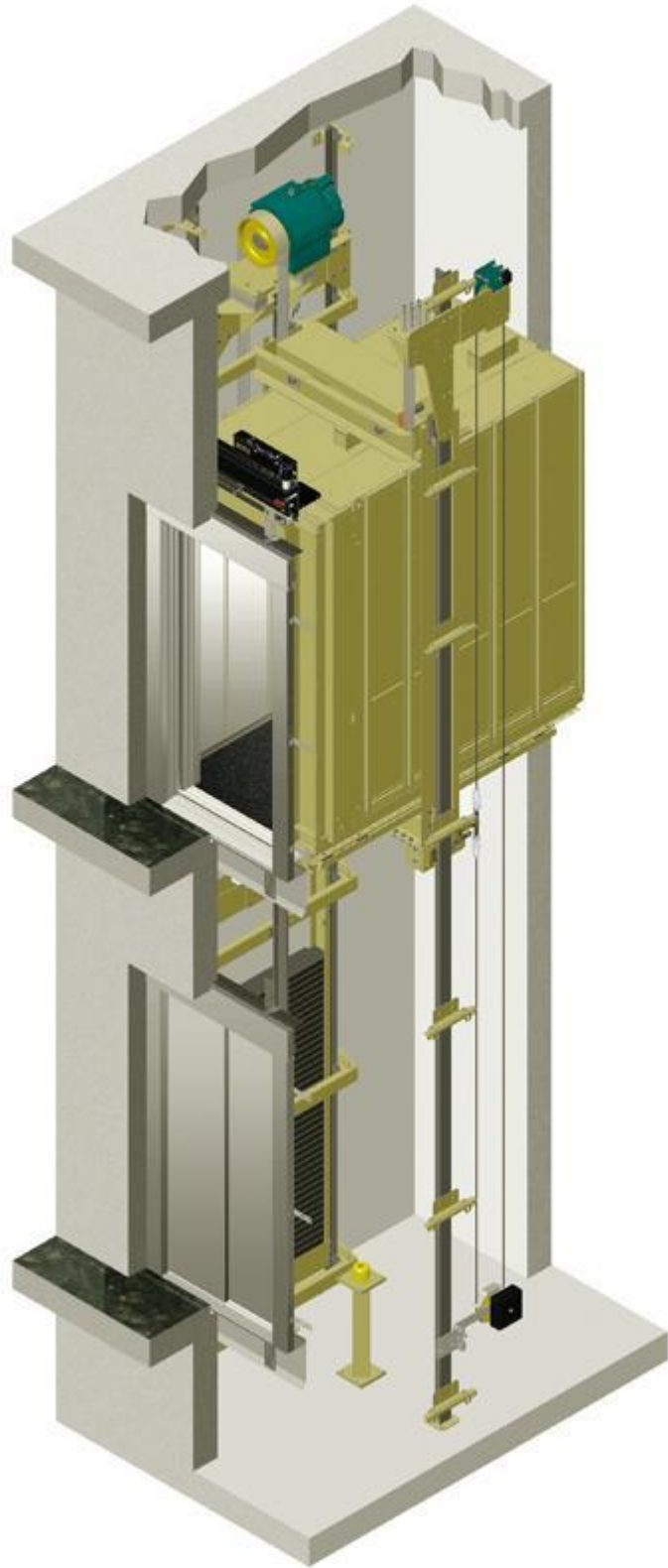
The broad Wittur's product range and expertise are also reflected in the systems: either you are looking for an hydraulic or an electric lift, with or without machine room, Wittur sales organization can support you.



Systems

Wittur believes that to be "Excellent in Components" means to know the entire lift, therefore is providing its customers worldwide with systems, according to the respective country regulations and market requirements.

The broad Wittur's product range and expertise are also reflected in the systems: either you are looking for an hydraulic or an electric lift, with or without machine room, Wittur sales organization can support you.



Systems MRL

Specialties

Modernizations for existing lifts EN81-80 / SNEL

Modernization of a lift system means a partial overhauling, where some previous components are kept in use.

The target of a modernization is to obtain modernized lift systems with safety and accessibility levels equal to new lift systems.

A modernized lift system uses newer technologies, is easier to operate, features a reduced energy consumption and is compliant to EN81-80 / SNEL (Safety norms for Existing Lifts).

EN81-80 / SNEL describes 74 hazards that must be removed from existing lift systems in the next years. It is gradually being applied in the EU, but it is also a reference standard also outside Europe.

Existing lifts are being tested according to this hazard list by a certification body. The test result gives information about the current lift status and the list of components that have a higher hazard from a safety point of view. The higher hazard components must be replaced first.

Wittur has been supplying components and modernization kits for existing lifts for more than 30 years. By providing specific modernization kits for specific lift models, Wittur enables quick modernization intervention with a proven reliability.

Wittur sales network is at your disposal to assist you for specific modernization projects to find out the best solution for your requirements.



Special Components

A long experience in the lift business enables Wittur to perform special “tailor-made” project to produce unique lift components that can be fully integrated in prestigious buildings.

Wittur cooperates actively with architects and designers to translate aesthetic ideas into performing systems and to raise the value of each project.

The availability of components with a high aesthetic appeal such as glass and glass-framed panels, round doors, panoramic glass cars, combined with Wittur expertise in tailoring the execution of each single component, means that no limits are set to the quality level that it is possible to obtain.

Wittur is also a supplier of peculiar components for lift used in very special markets:

- **Marine lifts** compliant with MED (Marine Equipment Directive) IMO (International Marine Organization) standards
- **Freight lifts**, which can rely on the availability of heavy load gearless drives and hydraulic solutions
- **Inclined lifts** that can be adapted to the physical features of the installation environment

For these special projects Wittur can capitalise on innovative solutions and specific safety components from its more than 300 international patents.



Marinapplications

Solutions for ship lifts

For more than 20 years Wittur has been offering to the customers its experience in the field of ship doors. Its products can be installed not only in passengers and cargo ships and off-shore platforms, but also on some of the most prestigious cruise ships, where they offer their combined high traffic capability and refined aesthetics.

Versatility, reliability and robustness are the key features of Wittur landing and car doors for Marine applications.

Marine execution doors and operators have been designed and tested to work in extreme environments such as pitch and roll of the ship and to respond to the request for limited maintenance interventions (once per year).

All the components for Marine applications are compliant with Marine Equipment Directive (**MED**) and International Marine Organization (**IMO**) standards.

Wittur doors for Marine applications can also be equipped with the following optional executions:

- Components completely in stainless steel AISI 304 or AISI 316
- **IP54** or **IP65** executions (to guarantee a correct work in wet environments that are exposed to a saline atmosphere or to adverse weather conditions)
- Explosion proof execution (especially in off-shore platforms or car ferries)
- Car door operator is available with **SUPRA** and **MIDI PLUS** drives (brushless drives); wiring “halogen-free” is also available
- Doors set to a rapid assembly in the "trunk"
- Large diameter rollers (80 mm) for smooth and trouble-free operations
- Special sills in stainless steel

There is also the opportunity to provide doors with any type of coating to meet high-level architectural requests with refined materials.

The doors are available in fire resistant executions according to **MED** and **IMO** standards; they are manufactured in two panels central opening and four panels. They are also available in telescopic one side-opening



Courtesy of
FINCANTIERI



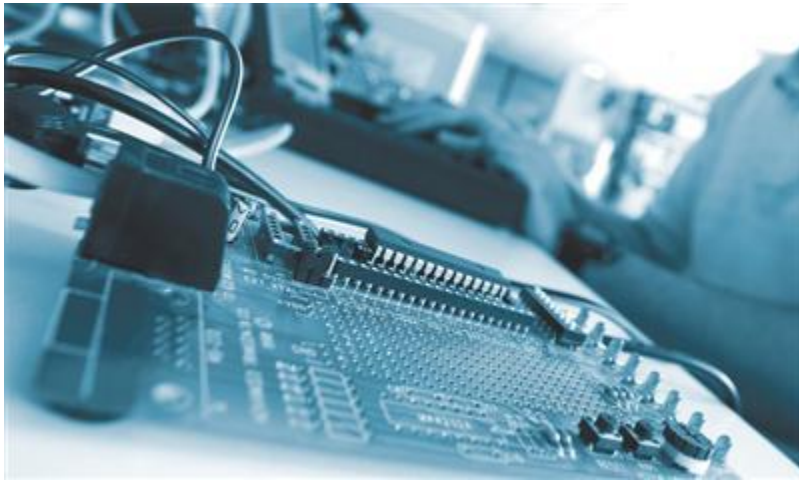
Courtesy of
FINCANTIERI



Courtesy of
FINCANTIERI



Courtesy of
FINCANTIERI



Innovation

Wittur has always been focused on innovation, meaning a continuous product improvement by structured verification processes on performance and reliability and an active participation to global and European organisations that deal with norms and standards for the lift industry.

- Six Wittur Group Competence Centres are focused on product specific R&D, industrialisation, manufacturing and continuous improvement of a specific type of components
- More than 300 international Patents are held by Wittur in the sector of lift components
- Two test towers (49 m) at Wittur GmbH in Scheibbs, Austria, and at Wittur Electric Drives GmbH in Dresden, Germany, are available to perform any kind of validation test for new and existing products
- Specific test labs are available within Wittur Group to test doors, gearless drives, hydraulics, safety systems
- Constant activity of product certification according to existing and new lift codes and standards
- World Wide Wittur (www): network of companies focused on global cooperation



Excellence in Components

Over the past **forty years**, the Wittur Group has grown to become the world's leading independent supplier of components for the lift industry.

The Wittur Group operates in **ten production plants** around the globe, serving its customers via sales companies based in **twenty-one countries**. These customers include the major international lift companies, as well as small and medium-sized manufacturers operating at a national level.

The brands “Wittur”, “Selcom”, “SAD” and “Omarlift” enjoy the highest reputation in the marketplace, standing for quality, reliability and safety. The Wittur companies have applied for more than **three hundred international patents**, the results of their attention to technological innovation.

Our core products include doors, safety components and gearless drives, as well as cars, slings, counterweight frames and hydraulic drives. These are designed not only for new installations, but also for modernisation projects.

Catering for almost every application, our range of products includes exclusive designs and finishings, heavy-duty solutions for freight, public transportation and marine installations, as well as standardised equipment – all complying with international standards. Our products have received the most important **certifications** in many countries, under-scoring their high quality.

Our **VISION** is “**Excellence in Components**”: we aim to be highly attractive to our customers by offering top-quality products and best-in-class service. We want to be excellent not only as individual companies, not only offering excellent products and services but, powered by our group spirit, we want to be excellent all over the world: “**world wide wittur**”. **www** stands for one **network** of global co-operation: offering the same excellent performance, applying the same principles and processes, sharing the same values, acting as one company worldwide, as “Wittur”.

We have identified **four strategic drivers** focus on actions in order to achieve excellence:

- **Leadership and Values**
- **Customer Benefit**
- **Superior Performance**
- **Innovative Solutions**

We are continually working on improvements and welcome critical feedback from our customers. This brings us one step closer to fulfilling daily our aim to supply “Excellence in Components”.



History

Wittur Group Milestones

PRODUCTION COMPANIES

Horst Wittur founds his own company at the age of **1968** 26 with a start-up capital of DM 2.000: **Wittur-Aufzugteile GmbH + Co**, producing lift swing doors and trading in lift components

Formation of **SELCOM S.p.A.** by six **1977** shareholders, Horst Wittur being the majority shareholder

Selcom Aragon (today Wittur Elevator Components S.A) was founded in Zaragoza, **1980** Spain to produce automatic lift doors.

All activities were bundled under the roof of LMC **1991** Management GmbH (today Wittur Holding GmbH) located in Wiedenzhausen near Munich, Germany.

TRADE COMPANIES

Participation in Bot & Co. (today Wittur Netherlands), a sales company near Am **1977** Holland.

Majority interest in Wegam (today Wittur S.A.R.L.), located near Paris, France was **1987** acquired to serve the French market.

ILT (today Wittur PTY L.T.D) was founded **1991** Sydney, Australia.

Majority interest in Asfen (today Wittur Asansör Sanayi Ve Ticaret Ltd. Sirketi), a manufacturing company for automatic lift doors, cars and slings, in Istanbul, Turkey.	1993	Establishment of Wittur sales companies in Czech Republic and Hong Kong.
Omar Lift (today Wittur Hydraulic Drives) a manufacturer of hydraulic lift drives, located in Bergamo, Italy, was purchased.	1994	Wittur K.F.T, a sales company located in Budapest, Hungary was established.
Suzhou Selcom (today Wittur Elevator Components (Suzhou) Co., Ltd), a production company for automatic lift doors, was founded in Suzhou near Shanghai, China.	1995	
	1997	Lifteknic (today Wittur Limited), a sales company for the UK market, located near Chester, was purchased.
	1998	Founding of Wittur Israel (today Wittur Ltd) Tel Aviv, Israel. Purchase of the remaining minority shares Wittur France (today Wittur S.A.R.L.).
SAD (today Wittur Electric Drives), a manufacturer of gearless lift drives, located in Dresden, Germany was purchased.	1999	
Takeover of KONE's Competence Centre for door mechanisms, safety components and slings, today Wittur GmbH, located in Scheibbs, Austria.	2000	Founding of Wittur Ltda in Londrina, Brazil assemble door components. Founding of the sales company Wittur Sp. z.o.o located in Warsaw, Poland.
Takeover of SOIMET (today Wittur S.A.) in Buenos Aires, Argentina.	2001	Wittur sales companies in Sweden and Singapore were established.
Establishment of Wittur S.r.o. in Krupina, Slovakia.	2009	

Behaving Ethically

Respect, honesty and credibility are the fundamentals of our daily work. We keep our promises and stand by our agreements. We comply with laws and regulations and commit ourselves to the safety of people and to the protection of the environment.

Acting with Entrepreneurial Spirit

We take the initiative and act with responsibility and accountability. We look ahead and identify future trends, opportunities and risks and demonstrate determination in pursuing our goals.

Creating Solutions

With creative ideas, continuous improvement and personal commitment we provide added value to the benefit of our customers and our company. Based on product, process and service excellence we aspire to be better than our competitors.

Being Hands-on

We work in a pragmatic and uncomplicated manner. We are experts in our area of operation and focus on the practical benefits of our activities. Quality and speed are no contradiction for us but a continuous challenge day by day.

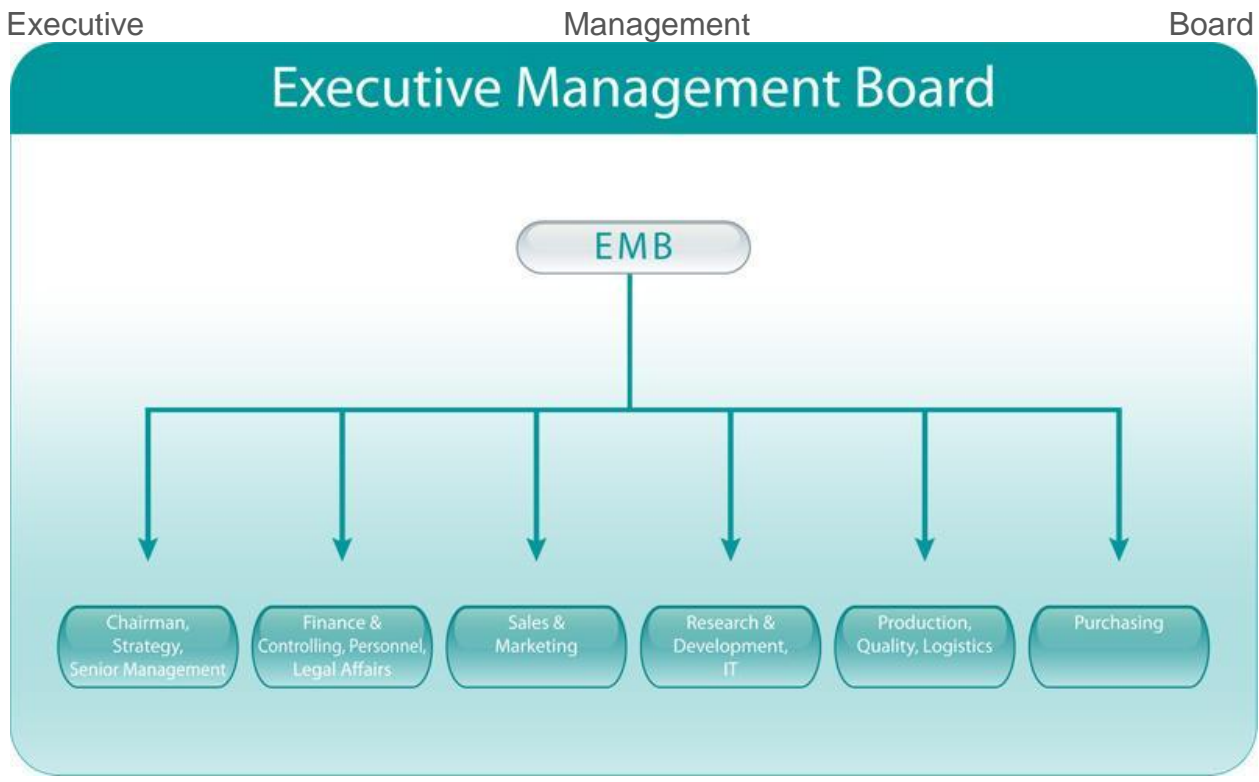
Caring for People

We respect each other and our business partners in the same way. We encourage and recognize each other's achievements. A healthy and safe working environment combined with a positive atmosphere enhances the motivation of our employees and their identification with Wittur.

Winning Together

Mutual trust, fairness and support form the basis of our network. The aim of our „world wide wittur“ spirit is to act globally as one company – as Wittur. We rely on each other and exchange best practice experiences. We stick together no matter how difficult the situation. This makes us successful both as a team and as a company.

Organisatio



						
	Stephan Rojahn	Christian Witt	Sergio Biglino	Ercüment Hizal	Andreas Zwerger	Javier Navamuel
Corporate Function	Chairman, Strategy, Senior management	Finance & Controlling, Personnel, Legal Affairs	Sales & Marketing	Research & Development, IT	Production, Quality, Logistics	Purchasing
Local Function			Wittur Italy (Managing Director)	Wittur Turkey (Managing Director)	Wittur Austria (Managing Director)	Wittur Spain (Managing Director) Wittur Hydraulic Drives Wittur Electric Drives
Regional Responsibility			Rest of the world	Russia & CIS (Commonwealth of Independent States)	China	South America

Plants

Profils



WITTUR S.P.A.

Italy

Founded: 1977

Address: Via Macedonio Melloni n° 12, I - 43052 Colorno
(Parma), Italy

Surface: 58.000 m² (32.300 covered)

Tel. +39 0521 3111

Fax +39 0521 311200

e-mail:info@wittur.it

Center of Competence Door Systems



WITTUR GMBH

Austria

Founded: 1968, joined Wittur in 2000
Address: Sowitschstrasse 1, A-3270, Scheibbs, Austria
Surface: 33.000 m² (20.000 covered)

Tel. +43 7482 42542 0
Fax +43 7482 42542 32
e-mail:info@wittur.at

Center of Competence Safety Devices, Mechanisms, Car Slings



WITTUR ELEVATOR COMPONENTS S.A.

Spain

Founded: 1980

Address: Polig. Ind. Malpica, Calle E - No.8, 50016 Zaragoza,
Spain

Surface: 42.000 m² (22.000 m² covered)

Tel. +34 976 76 3900

Fax +34 976 76 3901

e-mail:info@wittur.es

Centre of Competence Systems



Wittur Asansör San. ve Tic. Ltd. Sti.

Turkey

Founded: 1980, joined Wittur in 1993

Address: Y Dudullu Organize - Sanayi Bolgesi n° 13, TR-34776
Istanbul ,Turkey

Surface: 12.000 m² (7.000 covered)

Tel. +90 216 415 5567

Fax +90 216 415 5568

e-mail:info@wittur.com.tr

Center of Competence Cars



WITTUR ELEVATOR COMPONENTS CO. LTD.

China

Founded: 1995

Address: No.18 Shexing Road - Beishe Township Wujiang -
Jiangsu Province PRC 215214 - China

Surface: 40.000 m² (11.000 m² covered)

Tel. +86 512 632 20 888

Fax +86 512 632 20 044

e-mail:info@wittur.com.cn



WITTUR LTDA

Brazil

Founded: 2000

Address: Rodovia Celso Garcia Cid, 1406 Cambé, Parana - Brazil

Surface: 20.000 m² (2.400 m² covered)

Tel. +55 11 5032 0818

Fax +55 11 5032 1622

e-mail:info@wittur.com.br



WITTUR S.A.

Argentina

Founded: 1970, joined Wittur in 2000

Address: Av. Belgrano 2445, Sarandi - Pcia. de Buenos Aires -
Argentina

Surface: 12.000 m² (10.000 m² covered)

Tel. +54 114 138 9200

Fax +54 114 138 9202

e-mail:info@wittur.com.ar



WITTUR ELECTRIC DRIVES GMBH

Germany

Founded: 1997, joined Wittur in 1999
Address: Offenburger Str. 3, Dresden - Germany

Surface: 9.000 m² (4.500 m² covered)

Tel. +49 351 40440
Fax +49 351 4044111
e-mail:info@wittur-edrives.de

Center of Competence Electric Drives



WITTUR HYDRAULIC DRIVES S.R.L.

Italy

Founded: 1993

Address: Via F.lli Kennedy, 22 / D

Bagnatica (BG) - Italy

Surface: 36.000 m² (8.500 m² covered)

Tel. +39 035 689611

Fax +39 035 689671

e-mail: info@wittur-hd.it

Center of Competence Hydraulic Drives



WITTUR S.R.O.

Krupina, Slovakia

Founded: 2009

Surface: 39.000 m² (5.000 m² covered)

Address: Wittur s.r.o.

Priemyselná ulica 2747/7

SK-96301 KRUPINA

SLOVAKIA

Phone: +421 45 5258 - 805

Fax: +421 45 5258 - 816

e-mail: info@wittur.sk

Reference Projects



Skyview

Ericsson Globe, Stockholm, Sweden

Wittur has supplied a special motorized landing door with a single full glass panel (1300x2000 mm) for Ericsson Globe's Sky View, one of the biggest attractions in Stockholm, Sweden. A spherical glass lift carries people up the outside of the Globe, the largest spherical building on earth. An extraordinary view of the city can then be enjoyed at 130 meters above sea level. An additional electromagnetic lock on the door drive system and an impact tested panel guarantee the utmost safety level.



Outstanding Buildings

Featuring Wittur components

Many buildings feature Wittur components in their lift systems.

Would you like to know more? Please have a look at this worldwide gallery of some outstanding buildings using Wittur lift components.



Westhafen
Tower,
Frankfurt,
Germany



Is Kuleler,
Istanbul,
Turkey



Pirelli tower,
Milan, Italy



Torre Sacyr,
Vallehermoso,
Spain



Turning Torso,
Malmö,
Sweden



Torre Agbar,
Barcelona,
Spain



Beijing
National
Stadium,
China



Central Train
station, Berlin,
Germany



Hotel Puerta
America, Madrid,
Spain



Beijing
National
Grand
Theater, China



Airport of
Madrid
Barajas, Spain



Airport of
Barcelona,
Spain



Hyatt Center,
Chicago, USA



Metro of Madrid,
Spain



Kanyon
Tower,
Istanbul,
Turkey



Isozaki Tower,
Bilbao, Spain



Q1 Tower, Gold
Coast City,
Australia



Westhafen Tower, Frankfurt, Germany



Is Kuleler, Istanbul, Turkey



Beijing National Stadium, China



Beijing National Grand Theater, China



Pirelli tower, Milan, Italy



Torre Sacyr, Vallehermoso, Spain



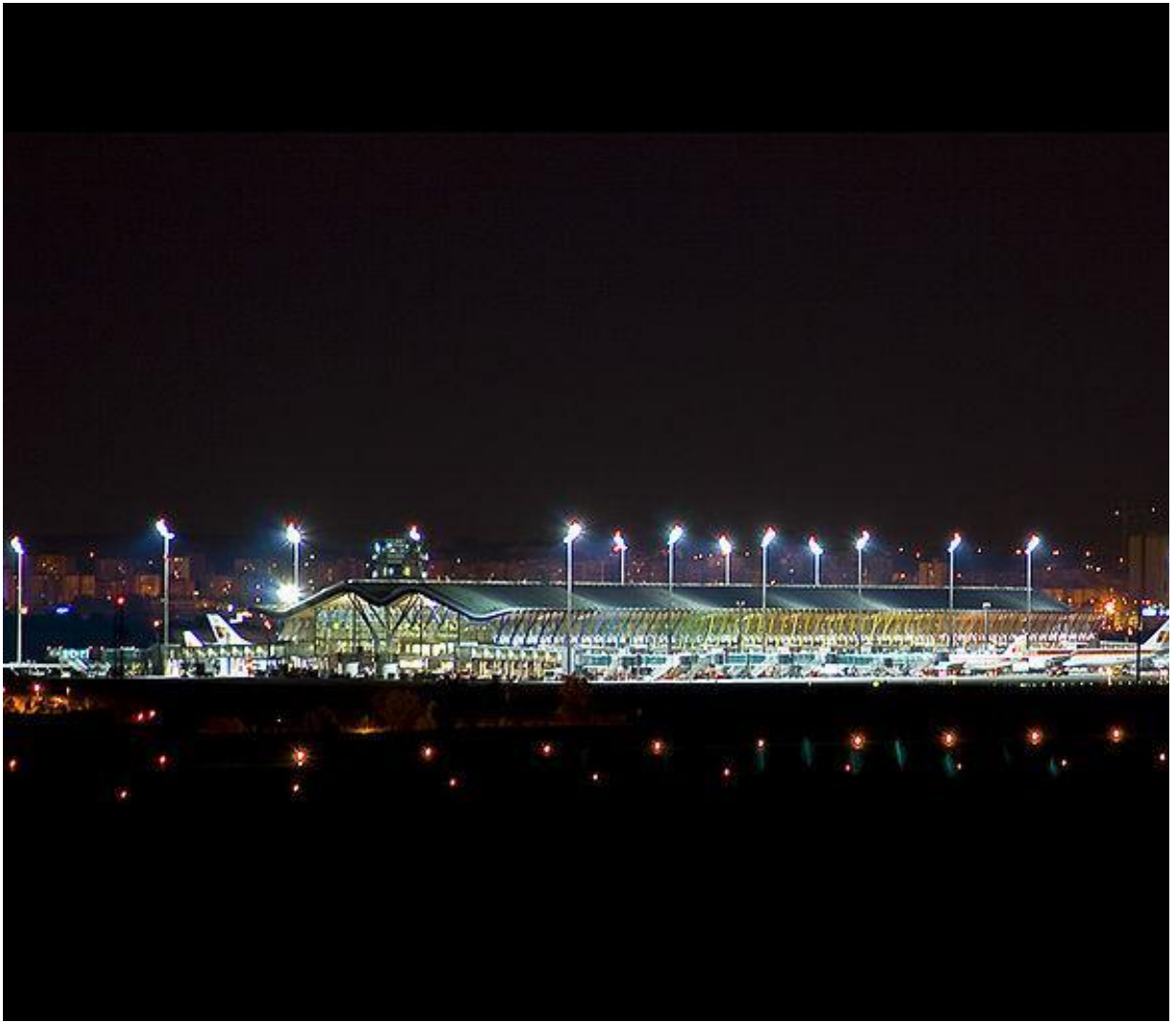
Torre Agbar, Barcelona, Spain



Central Train station, Berlin, Germany



Puerta America, Madrid, Spain



Airport of Madrid Barajas, Spain



Airport of Barcelona, Spain



Hyatt Center, Chicago, USA



Metro of Madrid, Spain



Q1 Tower, Gold Coast City, Australia



Kanyon Tower, Istanbul, Turkey



Isozaki Tower, Bilbao, Spain



Petruzzelli Theatre, Bari – Italy



Spider Car, Petruzzelli Theatre, Bari - Italy. Courtesy of Elevatori Srl



Spider Car, Petruzzelli Theatre, Bari - Italy. Courtesy of Elevatori Srl



Spider Car, Petruzzelli Theatre, Bari - Italy. Courtesy of Elevatori Srl



Spider Car, Petruzzelli Theatre, Bari - Italy. Courtesy of Elevatori Srl



Spider Car , Petruzzelli Theatre, Bari - Italy. Courtesy of Elevatori Srl



Spider Car , Petruzzelli Theatre, Bari - Italy. Courtesy of Elevatori Srl



**Spider Car,
Petruzzelli Theatre, Bari - Italy. Courtesy of Elevatori Srl**



Cruise Ships

For more than 20 years Wittur has been offering to the customers its experience in the field of ship doors.

Would you like to know more? Please have a look at this gallery of Wittur ship doors.

WITTUR PRODUCTS

1.Landing door





Landing door



Landing door





Courtesy of FINCANTIERI



Courtesy of FINCANTIERI



Courtesy of FINCANTIERI



Courtesy of FINCANTIERI



2.car door



3.Over Speed Governors



EOS

Electronic overspeed governor



INSPECTED	
04.07.01	
VITFILM	
Type: B9425018	
El.No.:	
V	1,60
V	1,64 m/s
V	2,00 m/s
V	6,6 mm

CE0408



4.CARS



OTTO

OSAKA





ORLANDO



MUNICH



MONTE_CARLO



MANHATTAN



LOS_ANGELES



ISTANBUL



H_PACK



HOUSTON



COPENHAGEN



BOSTON



BONN



BERLIN



ATLANTA



AMESTERDAM



ROMA



ROTTERDAM



TEXAS



TORONTO

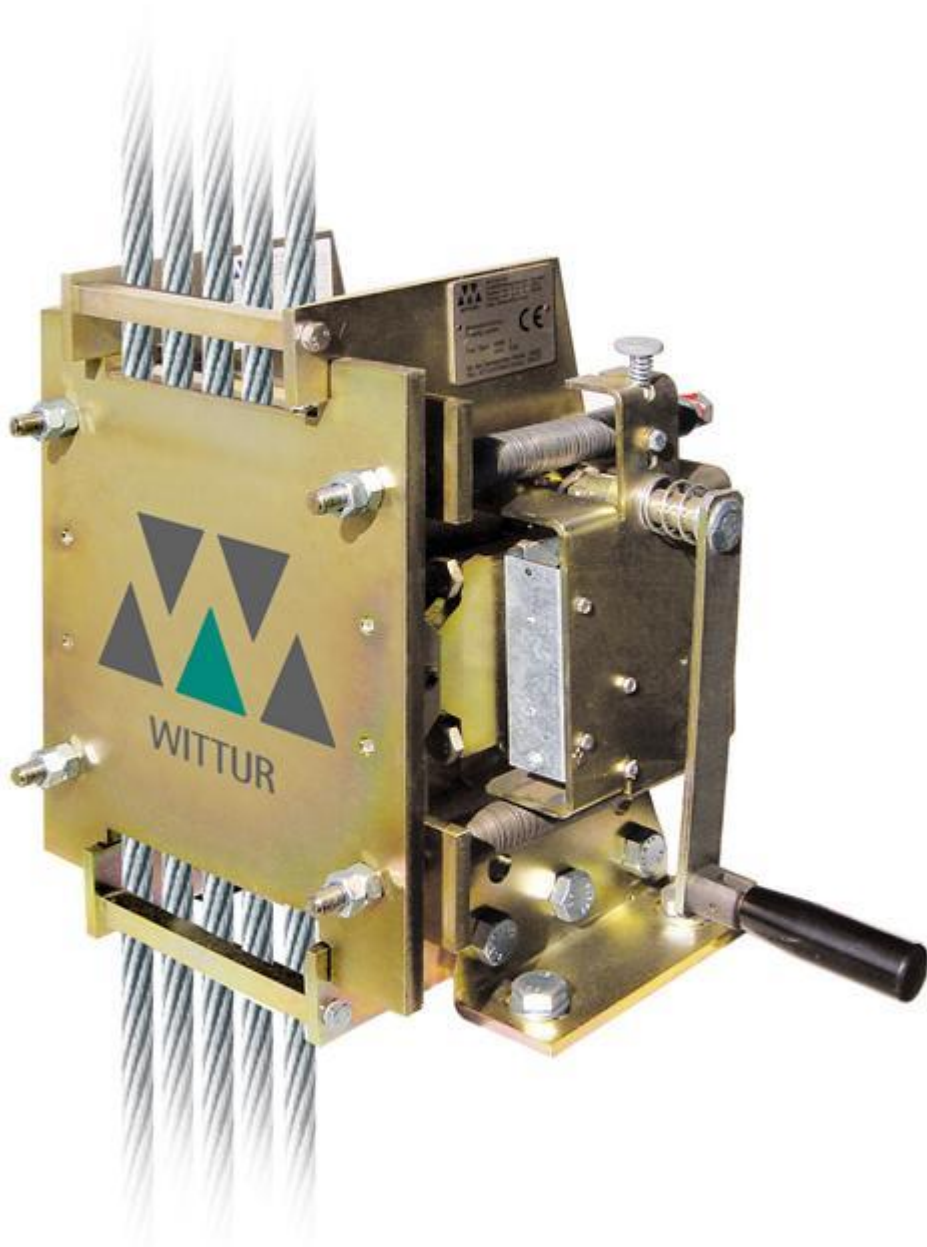
5.Safety Devices





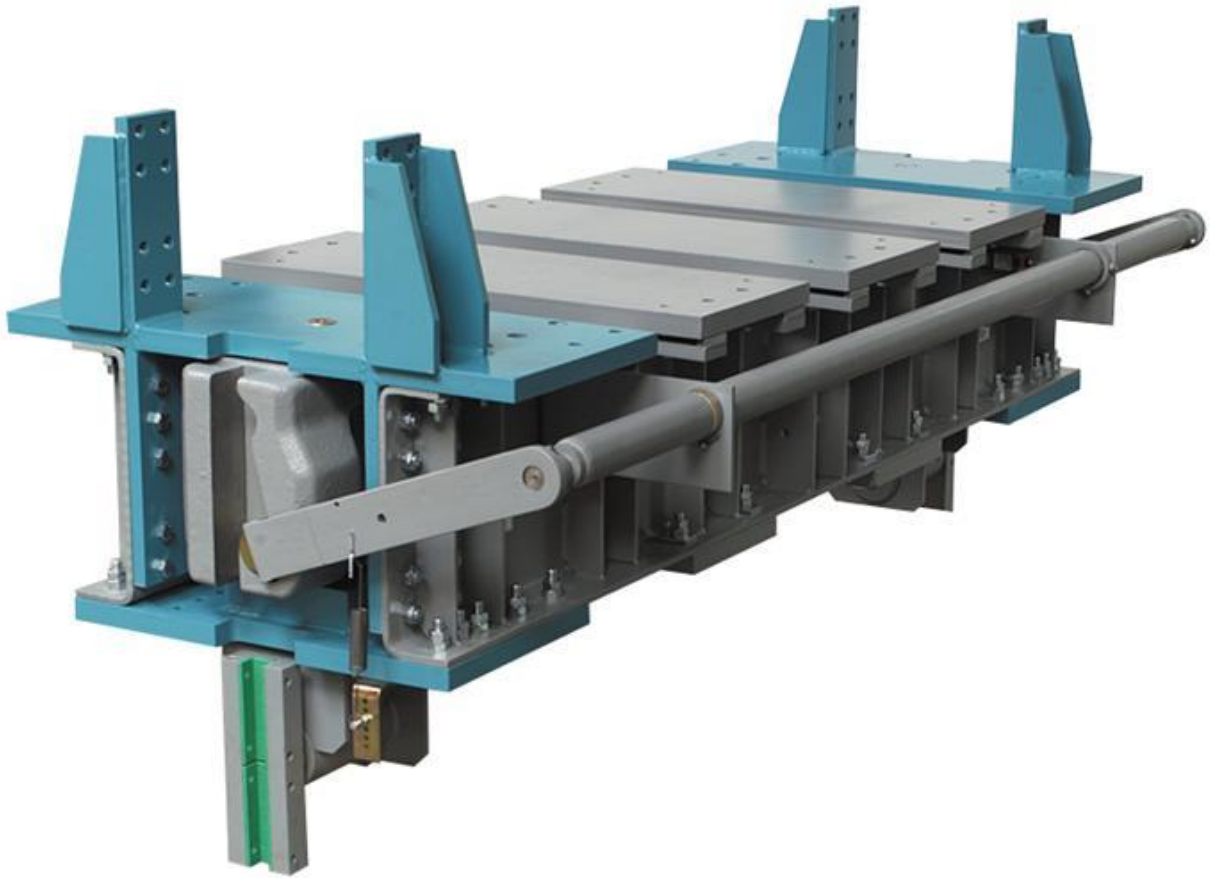


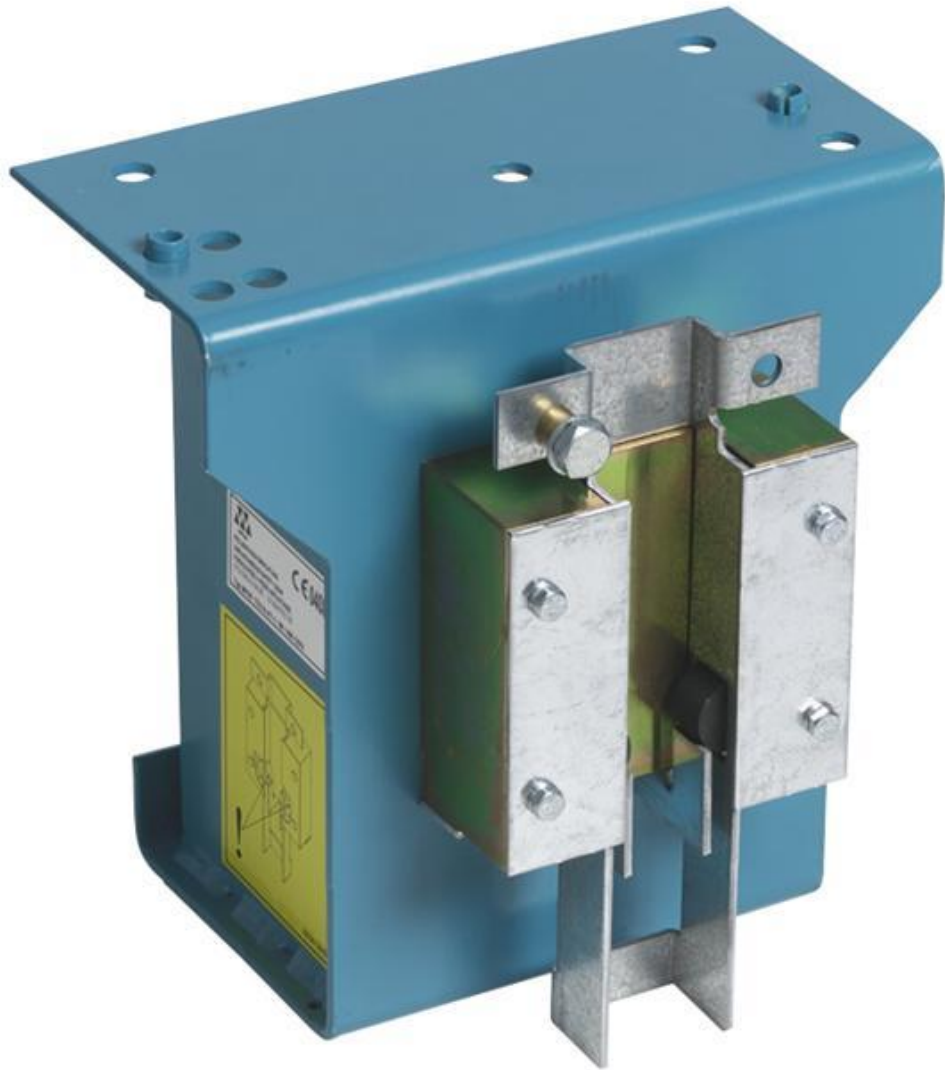




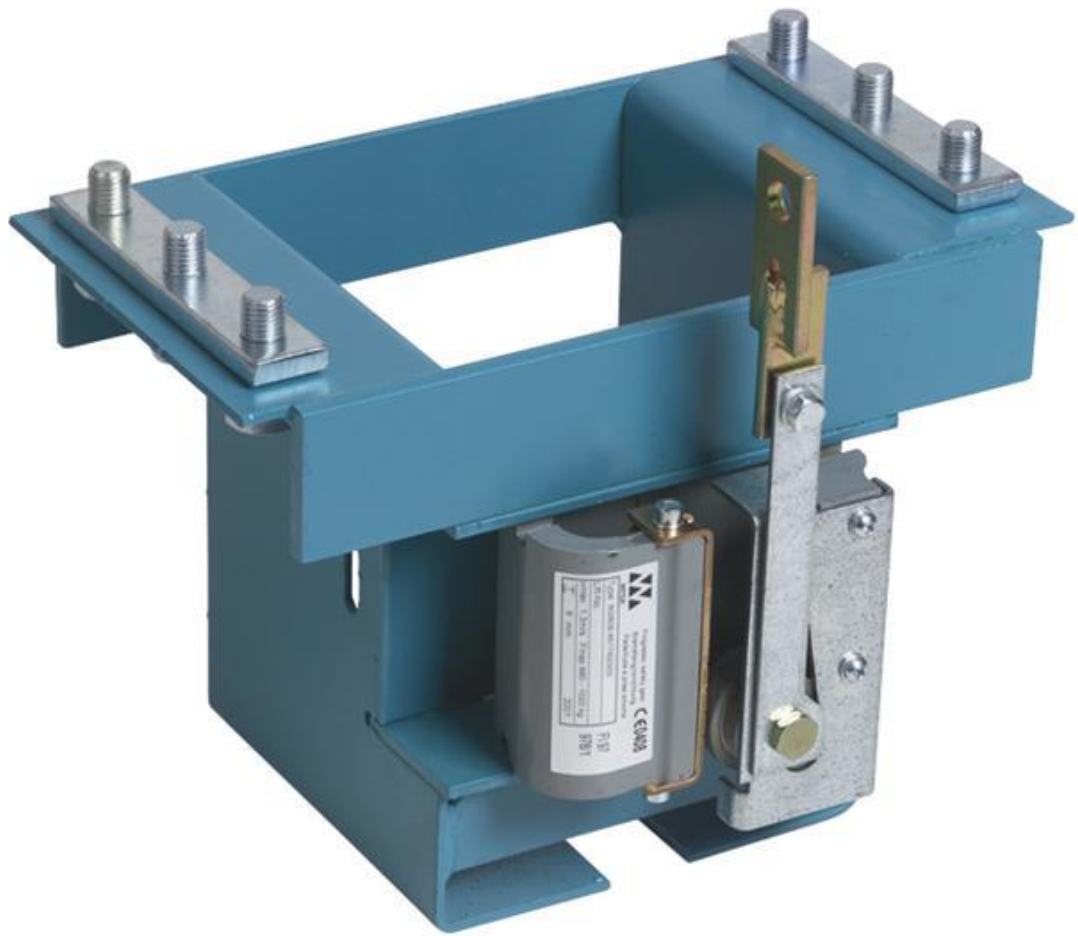












6. Shaft Accessories

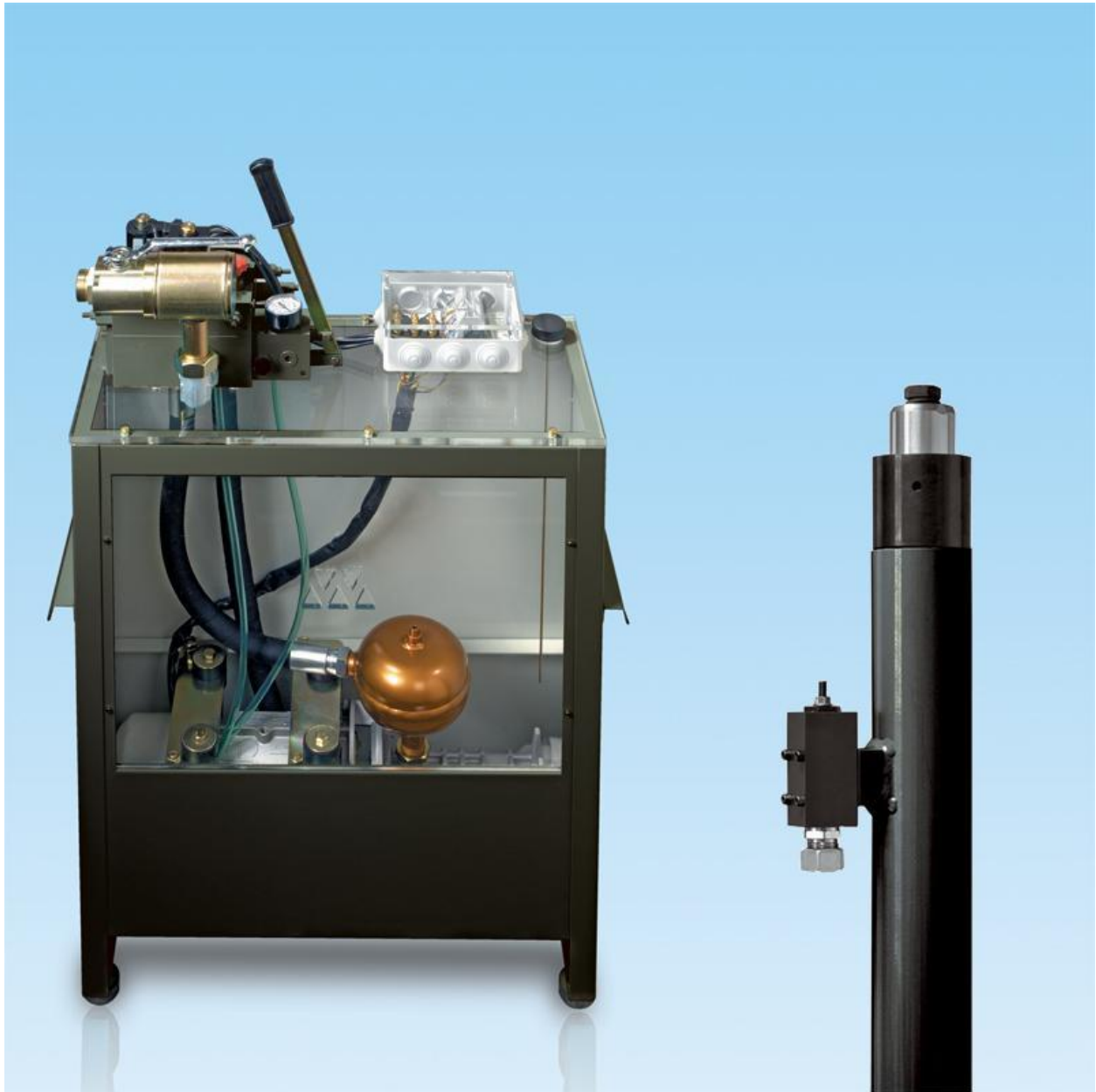






7. Hydraulic Drives







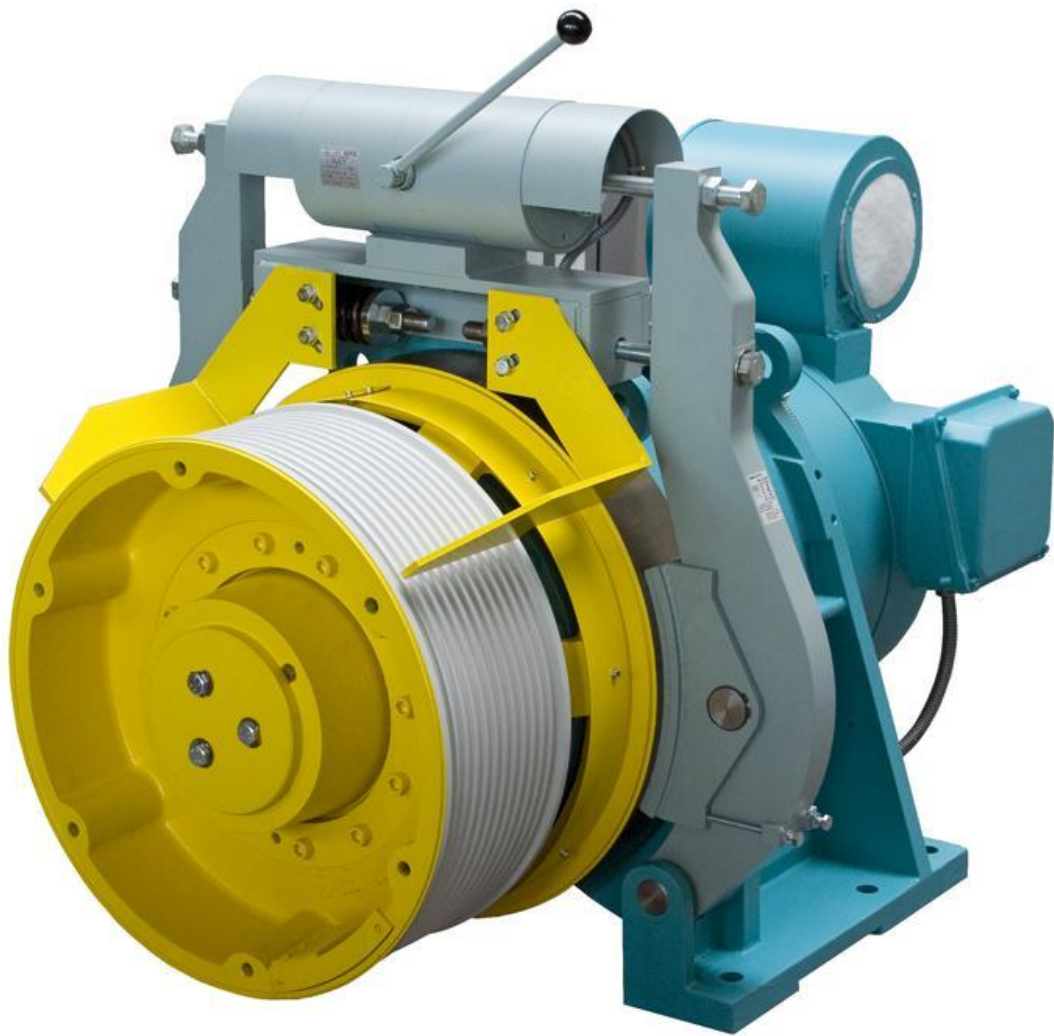


8. Gearless Drives

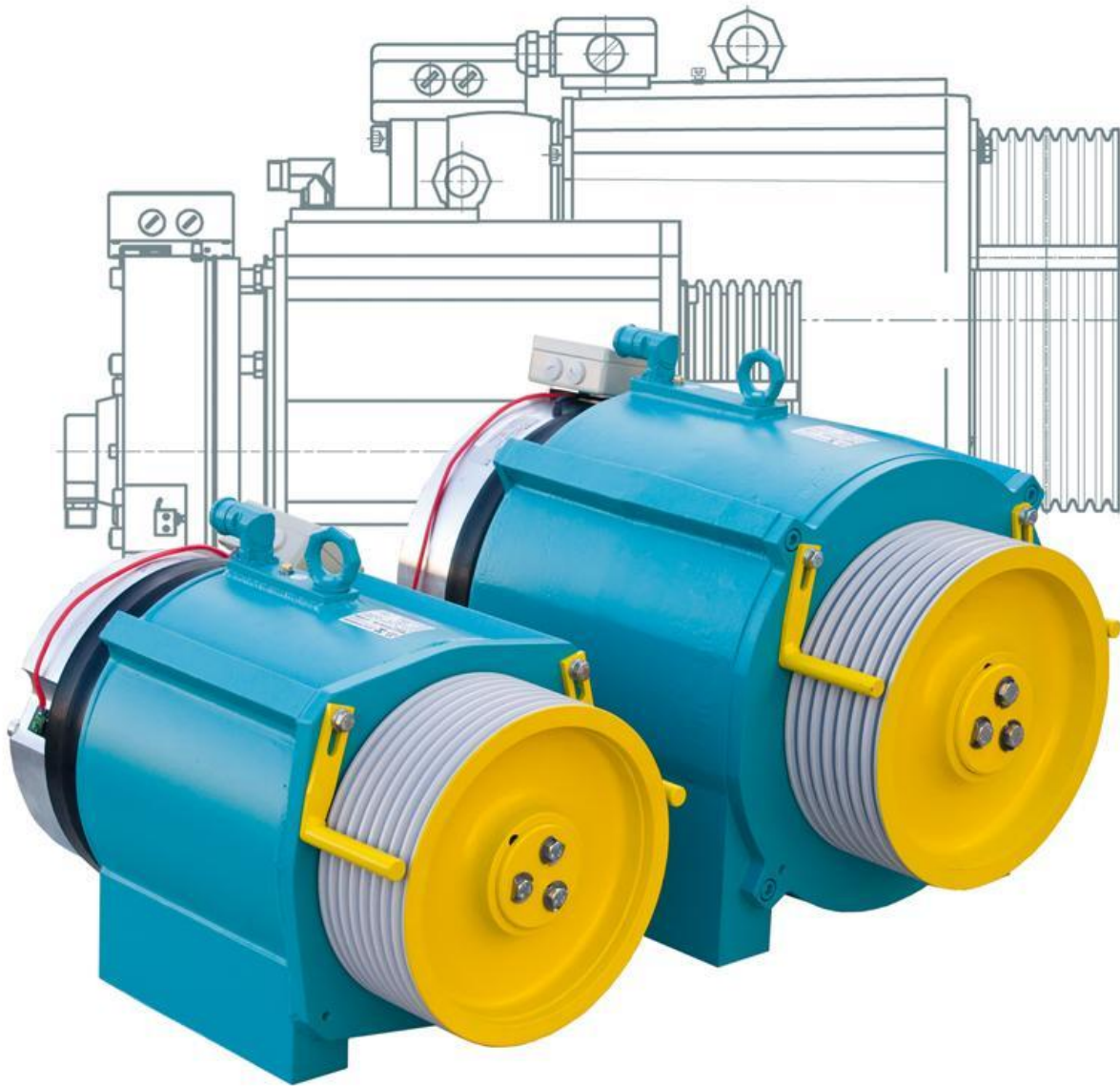


Servogearless

New ECO version







9.Systems



